



USER AND MAINTENANCE BOOK	<b>en</b>
LIBRETTO USO E MANUTENZIONE	<b>it</b>
BEDIENUNGS- UND WARTUNGSANLEITUNG	<b>de</b>
MANUAL DE INSTRUCCIONES PARA EL USO Y MANTENIMIENTO	<b>es</b>
MANUEL D'UTILISATION ET DE MAINTENANCE	<b>fr</b>
HANDLEIDING VOOR GEBRUIK EN ONDERHOUD	<b>nl</b>
MANUAL DE USO E MANUTENÇÃO	<b>pt</b>

# MASTEER



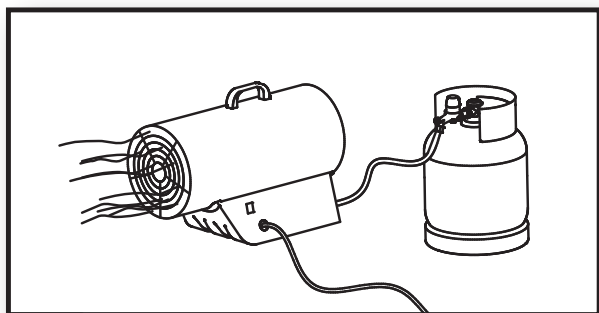
**BLP 33ET - BLP 53ET**  
**BLP 73ET - BLP 103ET**



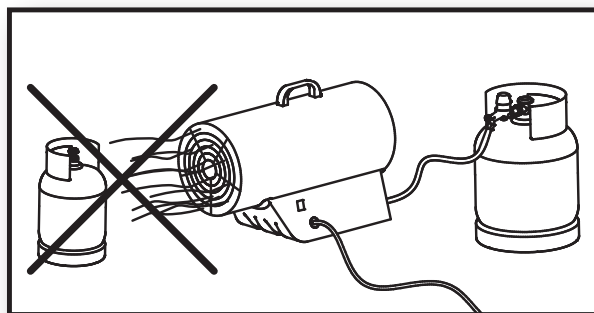
**BLP 33ET - BLP 53ET**  
**BLP 73ET - BLP 103ET**

en  
it  
de  
es  
fr  
nl  
pt

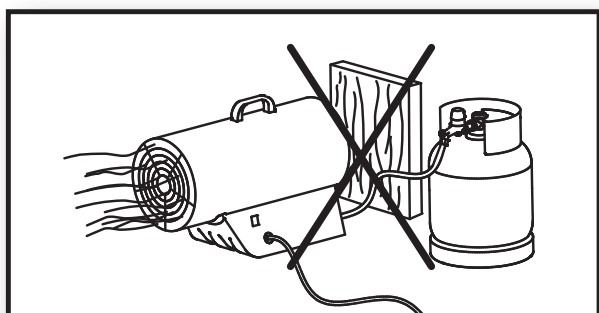
# FIGURES - FIGURE - ABBILDUNGEN - FIGURAS - FIGURES - FIGUREN - FIGURAS



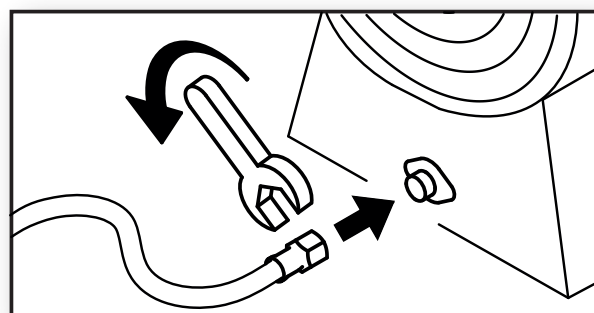
1



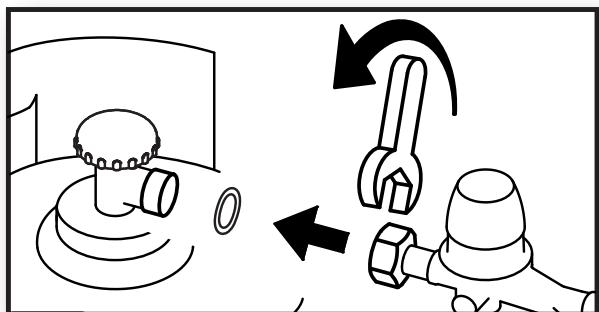
2



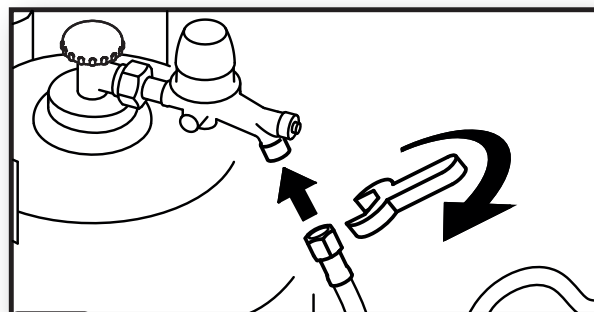
3



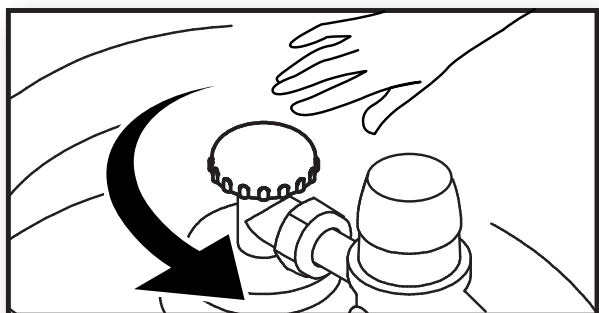
4



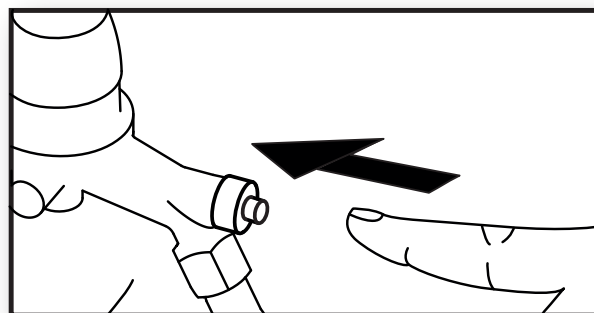
5



6



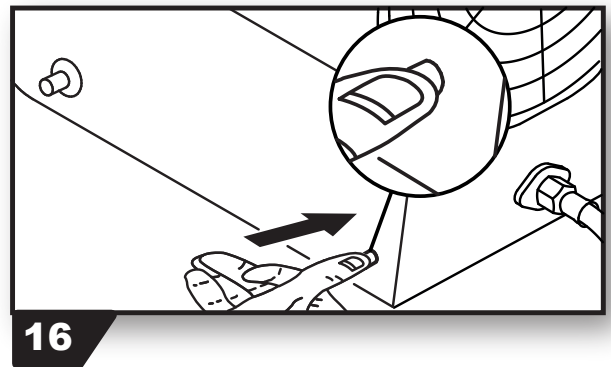
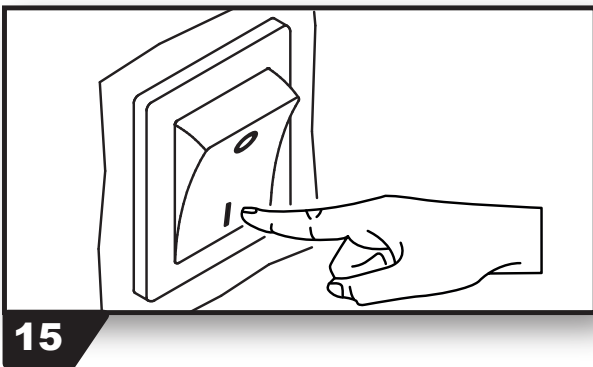
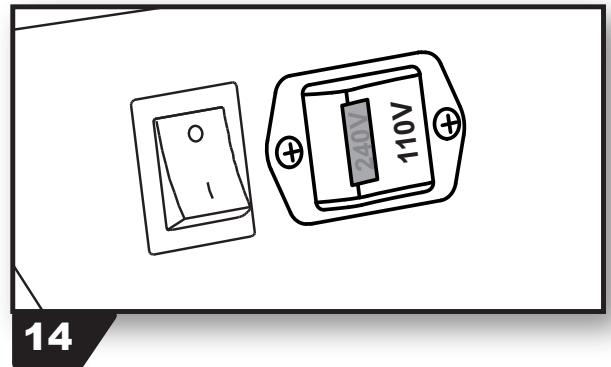
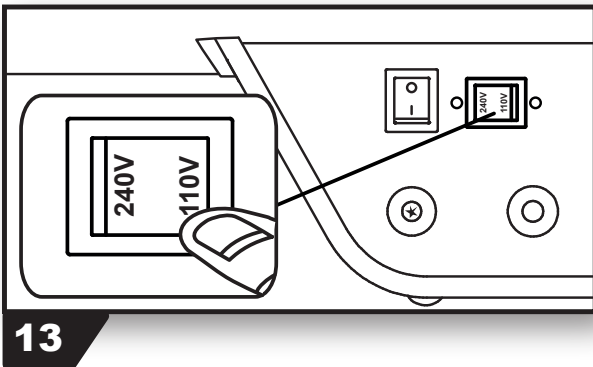
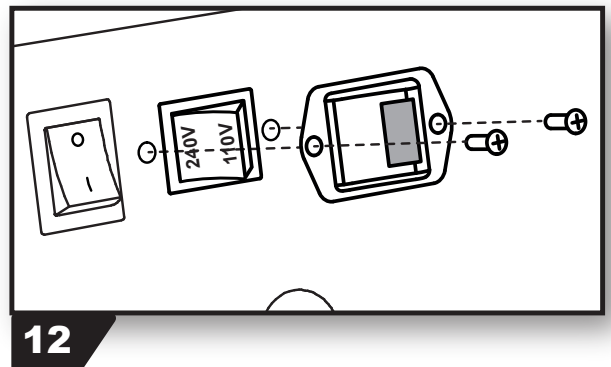
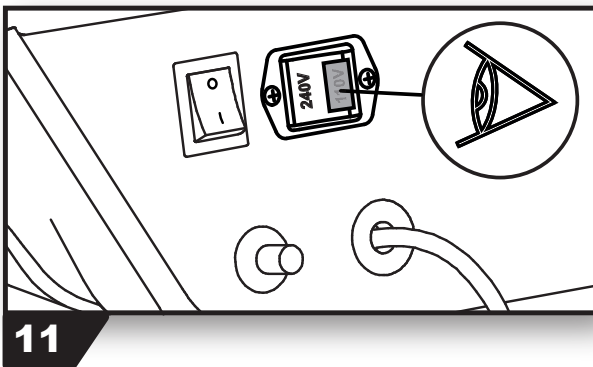
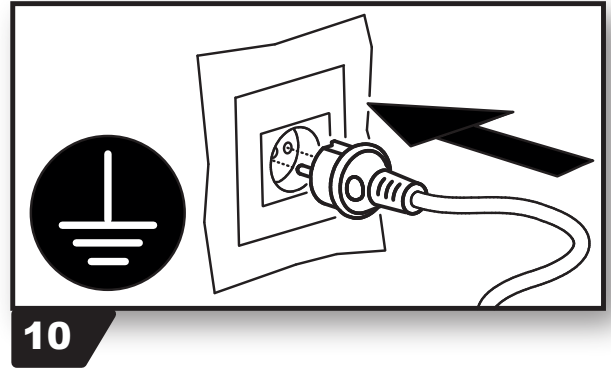
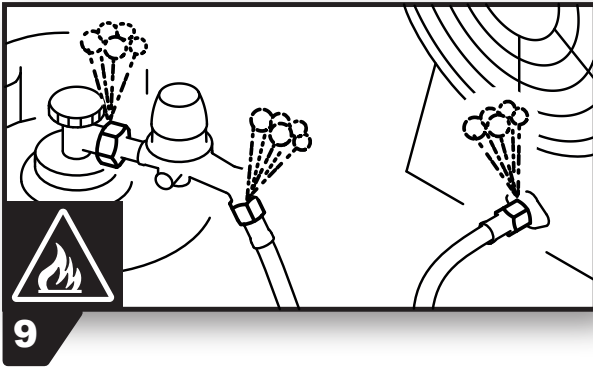
7



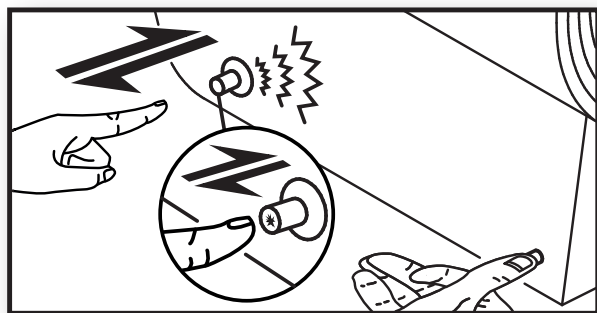
8

**FIGURES - FIGURE - ABBILDUNGEN - FIGURAS - FIGURES -  
FIGUREN - FIGURAS**

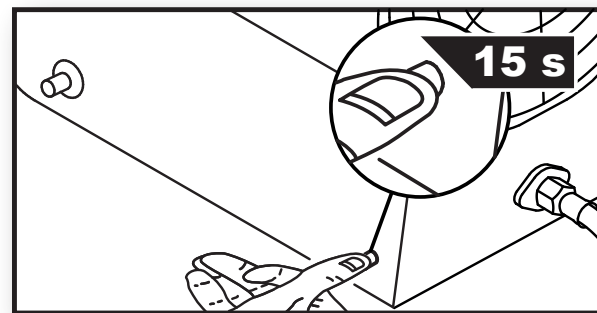
en  
it  
de  
es  
fr  
nl  
pt



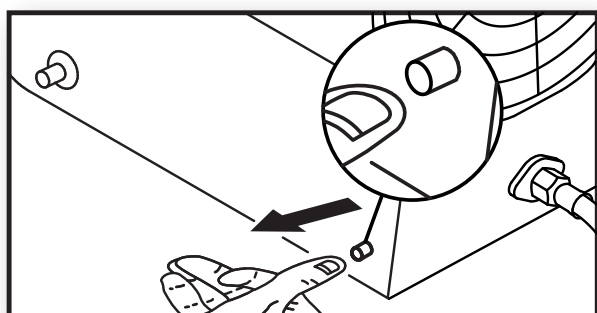
# FIGURES - FIGURE - ABBILDUNGEN - FIGURAS - FIGURES - FIGUREN - FIGURAS



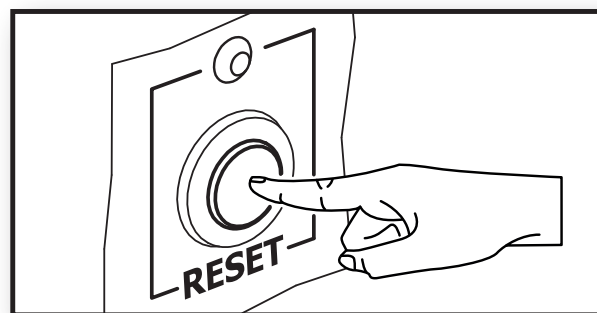
17



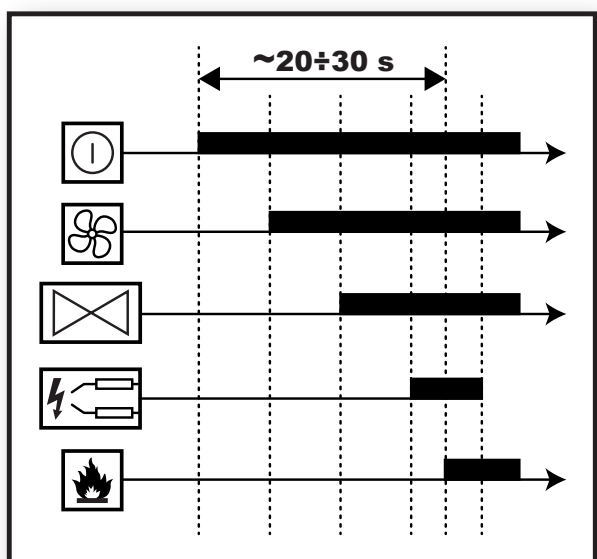
18



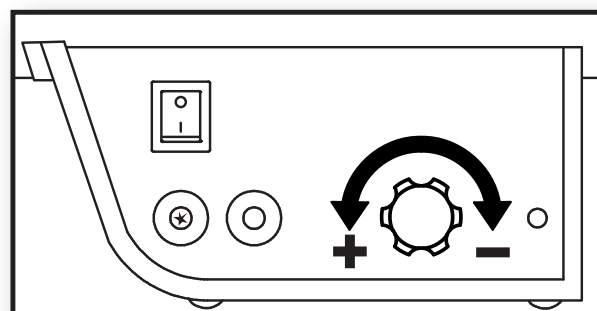
19



20



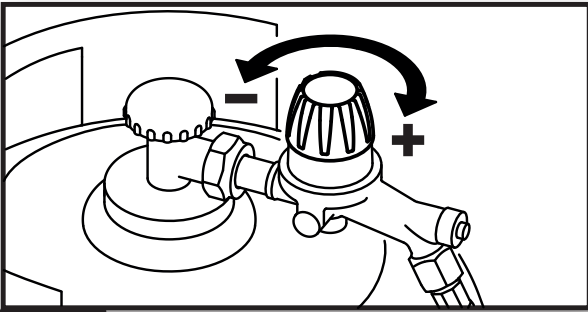
21



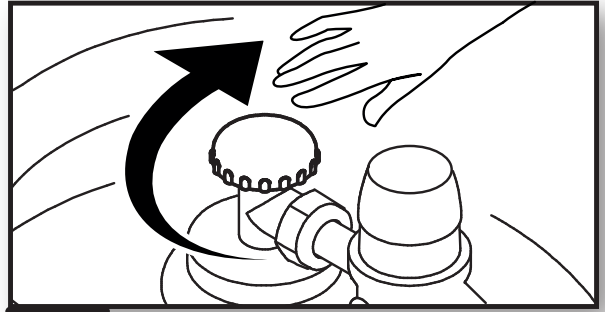
22

**FIGURES - FIGURE - ABBILDUNGEN - FIGURAS - FIGURES -  
FIGUREN - FIGURAS**

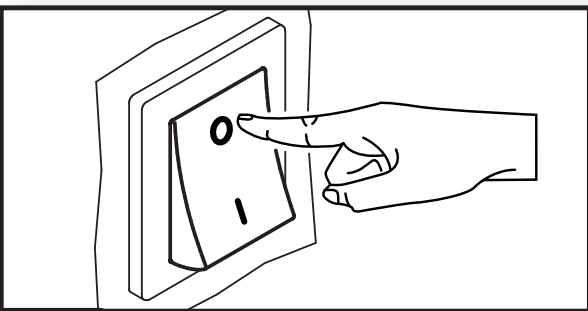
en  
it  
de  
es  
fr  
nl  
pt



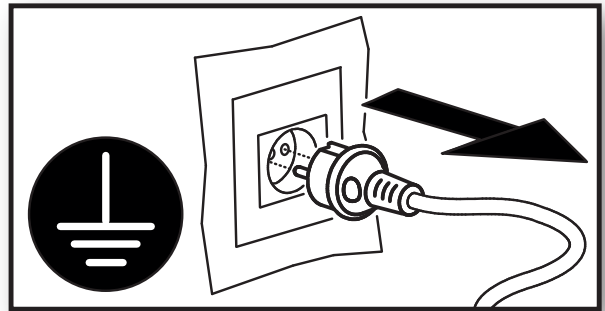
**23**



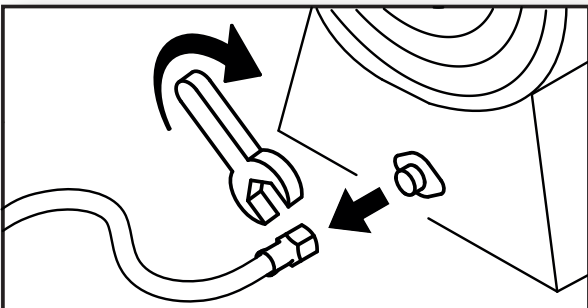
**24**



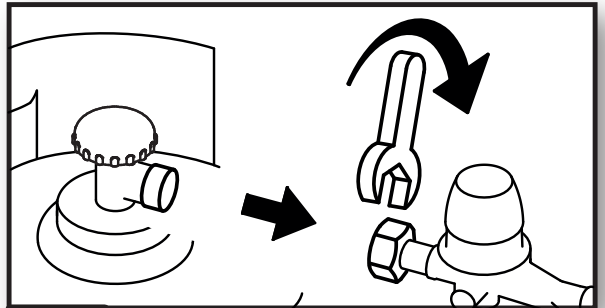
**25**



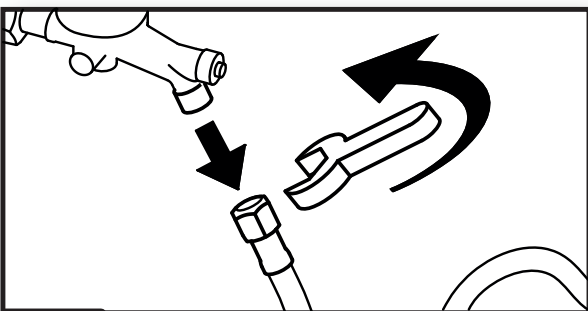
**26**



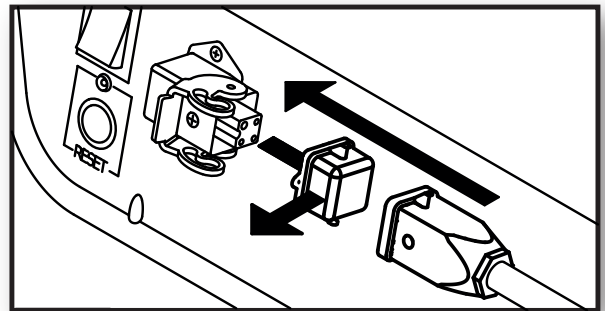
**27**



**28**



**29**



**30**

**PARAGRAPH SUMMARY**

1...	<b>DESCRIPTION</b>
2...	<b>WARNINGS</b>
3...	<b>TYPE OF FUEL</b>
4...	<b>CONNECTION AND REPLACEMENT OF THE GAS CYLINDER</b>
5...	<b>CONNECTION TO THE MAINS ELECTRICITY</b>
6...	<b>IGNITION FOR MANUAL MODELS (... / ...M / ...DV)</b>
7...	<b>IGNITION FOR ELECTRONIC MODELS (...E / ...ET)</b>
8...	<b>HEAT CAPACITY REGULATION</b>
9...	<b>SWITCH-OFF FOR MANUAL MODELS (... / ...M / ...DV)</b>
10...	<b>SWITCH-OFF FOR ELECTRONIC MODELS (...E / ...ET)</b>
11...	<b>CLEANING AND MAINTENANCE</b>
12...	<b>ROOM THERMOSTAT CONNECTION (...E / ...ET)</b>
13...	<b>TROUBLESHOOTING</b>

**IMPORTANT: READ AND UNDERSTAND THIS OPERATIONAL MANUAL BEFORE PERFORMING ASSEMBLY, COMMISSIONING OR MAINTENANCE ON THIS GENERATOR. INCORRECT USE OF THE GENERATOR CAN CAUSE SERIOUS INJURY. KEEP THIS MANUAL FOR FURTHER REFERENCE.**

## ►► 1. DESCRIPTION

This generator is a portable air heater functioning with liquid gas, characterised by the total use of the fuel, by heat exchange due to direct mixing of the intake air and the combustion products. It has a practical handle for easier transport and handling. The appliance is manufactured in compliance with the EN 1596 Standard.

## ►► 2. WARNINGS

► **⚠ IMPORTANT:** Do not use to heat homes and residential buildings; for use in public buildings, refer to national regulations.

► **⚠ IMPORTANT:** This appliance is not suitable for use by persons (including children) with reduced physical, sensory and mental capacities or with lack of experience or knowledge unless supervised by a person

responsible for their safety. Children must be supervised to make sure they do not play with the appliance. Keep animals at a safe distance from the appliance.

► **⚠ IMPORTANT:** Improper use of this generator can cause damage, injuries, burns, explosions, electric shock poisoning or endanger life. The first symptoms of suffocation by carbon monoxide are similar to those of flu with headache, light-headedness and/or nausea. These symptoms could be caused by the faulty functioning of the generator. **IF THESE SYMPTOMS SHOULD OCCUR, GO OUTDOORS IMMEDIATELY** and have the generator repaired by the technical after-sales assistance.

► **⚠ IMPORTANT:** All cleaning, maintenance and repairs that envision access to dangerous parts (such as

**replacement of a damaged power supply cable) must be performed by the manufacturer, by its technical after-sales service, by a person with similar qualification, in a way to prevent all risks, even if disconnection from the mains power supply is envisioned.**

► **2.1.** For correct use of the generator and for preservation of the fuel, follow all local regulations and the Standard in force.

► **2.2.** The generator requires suitable fresh air in order to function. It is therefore used outdoors or in rooms with assured and continuous supply of fresh air. Good airing is supplied when the volume of the room is calculated on the heat capacity, using the formula of 1 m<sup>3</sup> every 100 W of power. In no case the recommended volume of the room must be smaller than 100 m<sup>3</sup>. Good ventilation is guaranteed by an opening that satisfies the formula stating 25 cm<sup>2</sup> per kW of heat power, with minimum of 250 cm<sup>2</sup>, equally divided between the upper and lower part of the room. National Standards in force are valid for installation, including the Technical Standards and the provisions regarding accident-prevention and the prevention of fires.

► **2.3.** The appliance must only be used as a hot air generator (heating mode) or fan (ventilation mode, for models that envision this functionality). Follow these instructions scrupulously.

► **2.4.** The Manufacturer declines all liability for damage/injury to objects/persons deriving from improper use of the appliance.

► **2.5.** Only power the generator using the type of fuel expressly specified and with current having the voltage and frequency indicated on the data plate applied to the generator.

► **2.6.** Make sure the generator is only connected to suitable electric networks with differential switch and suitable earth.

► **2.7.** Only use extensions with suitable section, appropriately connected to earth.

► **2.8.** The generator must function on a stable level and fire-proof surface, in a way to prevent the risk of fire.

► **2.9.** It is prohibited to use the appliance in basements and rooms below ground level.

► **2.10.** The generator must not be used in places where explosive dusts, fumes, gases, fuels, solvents and paints are present.

► **2.11.** Whenever the generator is used in proximity of tarpaulin, awnings or similar covering materials, it is considered to use additional fire-proof protections. Make sure the hot parts of the generator are kept at a suitable distance from inflammable materials (material, paper, wood, etc.) or thermolabile materials (including the power supply cable), which in no case is less than 2,5 m.

► **2.12.** Position the gas cylinder in a protected position, behind the appliance (Fig. 1). The generator must never face the gas cylinder (Fig. 2).

► **2.13.** The air vent (rear side) and/or the air outlet vent (front side) cannot be totally or partially obstructed for any reason (Fig. 3). Do not use any air ducting from or to the generator. Make sure air intake slots, present on the bottom of the base, are not obstructed (for models using this solution).

► **2.14.** If the generator does not switch on or switch-on is anomalous, consult the relative section (Par. 13. "TROUBLESHOOTING").

► **2.15.** The generator must never be moved, handled or subjected to any maintenance interventions when it is running.



► **2.16.** In any condition of use or appliance standstill, make sure that the flexible gas hose is not damaged (crushed, bent, twisted, taught).

► **2.17.** If the smell of gas is perceived, switch the appliance off immediately, close the gas cylinder, disconnect the mains plug and then contact the after-sales assistance.

► **2.18.** If the gas hose must be replaced, only use the flexible type suitable for the pressure used, referring to national regulations. The gas hose must measure 1,5 m.

► **2.19.** When the appliance is controlled by a room thermostat (optional article), the generator can switch back on at any time i.e. when the temperature drops below the threshold set.

► **2.20.** When it is not used, disconnect the generator from the network plug, close the gas supply, disconnect the gas hose from the generator and plug the gas inlet on the generator.

► **2.21.** Have the after-sales assistance check correct functioning of the generator at least once a year and/or according to need.

### ►► 3. TYPE OF FUEL

Use category I<sub>3</sub>B/P gas only.

### ►► 4. CONNECTION AND REPLACEMENT OF THE GAS CYLINDER

The gas cylinder must be replaced in the open air, away from heat sources, in an atmosphere without flames.

Only the following accessories must be used for connection of the gas cylinder to the generator:

- Liquid gas flexible pipe.
- Liquid gas pressure regulator complete with safety valve.

### CHECK THE INTEGRITY OF THE GAS SUPPLY PIPE. IF THE GAS HOSE MUST BE REPLACED, ONLY USE THE FLEXIBLE TYPE SUITABLE FOR THE PRESSURE USED, REFERRING TO NATIONAL REGULATIONS.

► To connect the generator to the gas cylinder:

**ATTENTION: ALL THREADING IS SINISTRAL, I.E. THEY ARE TIGHTENED IN AN ANTI-CLOCKWISE DIRECTION.**

► **4.1.** Screw the gas hose to the generator fitting (Fig. 4).

► **4.2.** Install the pressure regulator on the gas cylinder. Make sure there is a gasket present on the regulator (if envisioned by the type of connection) (Fig. 5).

► **4.3.** Connect the gas hose to the pressure regulator (Fig. 6).

► **4.4.** Open the gas cylinder cock (Fig. 7).

► **4.5.** Press the regulator release button (Fig. 8). **Check tightness of fittings using soapy water: bubbles indicate a gas leak (Fig. 9).** Several gas cylinders can be fitted together to obtain greater autonomy. **The use of 30 kg gas cylinders is recommended, up to heating capacity of 33 kW. Over the power of 33 kW use gas cylinders with greater capacity. The use of gas cylinders with suitable capacity is recommended in order to prevent problems due to lack of gasification of the fuel.** The correct functioning pressure (see data plate applied to the generator) is given by the regulator supplied or an equivalent model.



## ►► 5. CONNECTION TO THE MAINS ELECTRICITY CHECK YOUR ELECTRIC SYSTEM IS EARTHED CORRECTLY.

Before connecting the generator to the mains electricity, make sure that the power supply voltage and frequency are correct (see data plate applied to the generator). The connection to the mains electricity (Fig. 10) must be made in compliance with the National Standards in force.

## ►► 6. IGNITION FOR MANUAL MODELS (... / ...M / ...DV)

**IMPORTANT:** For ...DV models, check the position of the transformer switch (220-240V / 110-120V) (Fig. 11). If the voltage set on the appliance does not correspond to that supplied by the mains, the voltage must be adapted. Loosen the 2 lid screw fasteners (Fig. 12), shift the switch onto the voltage value supplied (Fig. 13) and re-mount the lid (Fig. 14).

### ● 6.1. HEATING MODE:

► 6.1.1. Take the “O/I” switch to position “I” (Fig. 15).

► 6.1.2. Press the gas button fully home and hold it down (Fig. 16).

► 6.1.3. Activate the piezoelectric igniter fully home and repeatedly (Fig. 17), keeping the gas button pressed (Fig. 16).

► 6.1.4. After ignition of the flame, hold the gas button down for about 15 s (Fig. 18).

► 6.1.5. Release the gas button (Fig. 19). In the event of a power cut or if there is no gas supply, the appliance will switch off. The generator does not switch back on automatically. It must be switched on manually by repeating the switch-on procedure.

If the appliance does not switch on, consult the relative section (Par. 13. “TROUBLESHOOTING”).

### ● 6.2. VENTILATION MODE:

The generator can also be used as a fan. Connect the generator to the mains electricity (Fig. 10) and take the “O/I” switch to position “I” (Fig. 15).

**N.B.:** With the generator functioning in heating mode, before passing to ventilation mode, carry out the correct switch off sequence for the manual models [Par. 9. “SWITCH-OFF FOR MANUAL MODELS (... / ...M / ...DV)”].

## ►► 7. IGNITION FOR ELECTRONIC MODELS (...E / ...ET)

► 7.1. Take the “O/I” switch to position “I” (Fig. 15).

► 7.2. Press the “RESET” button (Fig. 20).

The generator starts the analysis sequence and the flame ignites after about 20÷30 s (see functioning layout Fig. 21).

In the event of a power cut or if there is no gas supply, the appliance will switch off. The generator does not switch back on automatically. It must be switched on manually by pressing the “RESET” button (Fig. 20).

If the appliance does not switch on, consult the relative section (Par. 13. “TROUBLESHOOTING”).

**ATTENTION:** If the generator stops due to the intervention of the room thermostat (optional article), the appliance will switch back on automatically when the temperature drops below the threshold set.

## ►► 8. HEAT CAPACITY REGULATION

Depending on the type of generator, the appliance heat capacity can be regulated. The heat capacity can be regulated by acting on the knob positioned on the base of the generator (Fig. 22) or on the pressure regulator installed on the gas cylinder (Fig. 23), depending on the model.

## ►► 9. SWITCH-OFF FOR MANUAL MODELS (... / ...M / ...DV)

- 9.1. Close the gas cylinder (Fig. 24).
- 9.2. Leave the fan to cool for about 60 s, in order to prevent internal damage due to overheating (generator internal cooling).
- 9.3. Take the "O/I" switch to position "O" (Fig. 25).
- 9.4. Disconnect the generator from the mains electricity (Fig. 26).
- 9.5. Disconnect the generator from the gas supply pipe (Fig. 27-28-29).

## ►► 10. SWITCH-OFF FOR ELECTRONIC MODELS (...E / ...ET)

- 10.1. Take the "O/I" switch to position "O" (Fig. 25). The flame goes out and the generator performs the post-ventilation phase. Wait for the cycle to be completed in order to prevent internal damage due to overheating (the phase is automatic and can last 50 s÷5 min depending on the internal/external temperature at the generator).
- 10.2. Close the gas cylinder (Fig. 24).
- 10.3. Disconnect the generator from the mains electricity (Fig. 26).
- 10.4. Disconnect the generator from the gas supply pipe (Fig. 27-28-29).

**N.B.:** Do not disconnect the generator from the mains electricity, before the end of the post-ventilation phase, in order to prevent internal damage due to over-heating.

## ►► 11. CLEANING AND MAINTENANCE

Have the after-sales assistance check correct functioning of the generator at least once a year and/or as required. The appliance must be cleaned before it is put away after use.

► 11.1. Before starting any type of maintenance, care and repairs of the appliance, carry out the switch-off sequence [Par. 9. "SWITCH-OFF FOR MANUAL MODELS (... / ...M / ...DV)" or "10. SWITCH-OFF FOR ELECTRONIC MODELS (...E / ...ET)"].

► 11.2. Cleaning only concerns the air vent (rear side) of the generator.

► 11.3. When the appliance is used again, check the state of integrity of the gas hose and power supply cable. If in doubt regarding their integrity, request the assistance of the technical after-sales service.

► 11.4. Do not carry out unauthorised interventions.

## ►► 12. ROOM THERMOSTAT CONNECTION (...E / ...ET) (optional)

Remove the plug connected to the appliance and connect the room thermostat (optional) (Fig. 30).

See wiring diagram (...E / ...ET).

## ►► 13. TROUBLESHOOTING

en

<b>FUNCTIONING ANOMALIES</b>	<b>... ...M ...DV</b>	<b>...E ...ET</b>	<b>CAUSES</b>	<b>SOLUTIONS</b>
The motor does not start	X	X	No voltage	1°Check the mains system 2°After-sales assistance
	X	X	Power supply cable faulty/damaged	After-sales assistance
	X	X	Faulty motor	After-sales assistance
		X	Incorrect connection of the room thermostat	Connect the room thermostat correctly
The flame does not ignite	X	X	Gas cylinder empty	Replace the gas cylinder (Par. 4)
	X	X	Regulator safety valve blocked	1°Press the regulator gas release button (Fig. 8) 2°After-sales assistance
	X	X	Gas cylinder cock closed	Open the gas cylinder cock (Fig. 7)
	X	X	Faulty ignition circuit	After-sales assistance
		X	Inefficient earthing	Check your system is earthed correctly
The flame does not stay on	X		Gas button not pressed for long enough	Press the gas button for longer (Par. 6.1.4.)
	X	X	Faulty generator	After-sales assistance
Flame goes out during functioning	X	X	Insufficient gas supply	1°Replace the gas cylinder (Par. 4) 2°After-sales assistance
	X	X	No gasification of the fuel	Use gas cylinders with suitable capacity (Par. 4)
	X	X	Appliance overheating	1°Clean the air vent (rear side) 2°After-sales assistance
	X	X	Faulty generator	After-sales assistance

## SOMMARIO PARAGRAFI

1...	<b>DESCRIZIONE</b>
2...	<b>AVVERTENZE</b>
3...	<b>TIPO DI COMBUSTIBILE</b>
4...	<b>COLLEGAMENTO E SOSTITUZIONE DELLA BOMBOLA GAS</b>
5...	<b>COLLEGAMENTO ALLA RETE ELETTRICA</b>
6...	<b>ACCENSIONE PER I MODELLI MANUALI (... / ...M / ...DV)</b>
7...	<b>ACCENSIONE PER I MODELLI ELETTRONICI (...E / ...ET)</b>
8...	<b>REGOLAZIONE POTENZA TERMICA</b>
9...	<b>SPEGNIMENTO PER I MODELLI MANUALI (... / ...M / ...DV)</b>
10...	<b>SPEGNIMENTO PER I MODELLI ELETTRONICI (...E / ...ET)</b>
11...	<b>PULIZIA E MANUTENZIONE</b>
12...	<b>COLLEGAMENTO TERMOSTATO AMBIENTE (...E / ...ET)</b>
13...	<b>ANOMALIE DI FUNZIONAMENTO, CAUSE E RIMEDI</b>

**IMPORTANTE: LEGGERE E COMPRENDERE QUESTO MANUALE OPERATIVO PRIMA DI EFFETTUARE L'ASSEMBLAGGIO, LA MESSA IN FUNZIONE O LA MANUTENZIONE DI QUESTO GENERATORE. L'USO ERRATO DEL GENERATORE PUÒ CAUSARE LESIONI GRAVI. CONSERVARE QUESTO MANUALE A TITOLO DI FUTURO RIFERIMENTO.**

### ►► 1. DESCRIZIONE

Questo generatore è un riscaldatore d'aria portatile funzionante a gas liquido, caratterizzato dallo sfruttamento totale del combustibile, mediante scambio termico per miscelazione diretta tra l'aria aspirata ed i prodotti della combustione. È dotato di una pratica maniglia per facilitarne il trasporto e la movimentazione. L'apparecchio è realizzato secondo la Norma EN 1596.

### ►► 2. AVVERTENZE

► **⚠ IMPORTANTE:** Non utilizzare per il riscaldamento delle aree abitabili di edifici residenziali; per l'uso in edifici pubblici, fare riferimento ai regolamenti nazionali.

► **⚠ IMPORTANTE:** Questo apparecchio non è adatto all'uso da parte di persone (incluse bambini) con capacità fisiche, sensoriali e mentali ri-

dotte, o inesperte, a meno che non vengano supervisionate da una persona reponsabile per la loro sicurezza. I bambini devono essere controllati, per assicurarsi che non giochino con l'apparecchio. Tenere gli animali a distanza di sicurezza dall'apparecchio.

► **⚠ IMPORTANTE:** L'uso improprio di questo generatore può provocare danni o pericolo di vita a persone, lesioni, ustioni, esplosioni, elettroshock o avvelenamento. I primi sintomi di asfissia da ossido di carbonio assomigliano a quelli dell'influenza, con cefalee, capogiri e/o nausea. Tali sintomi potrebbero essere causati dal funzionamento difettoso del generatore. **NEL CASO SI PRESENTASSERO QUESTI SINTOMI, USCIRE IMMEDIATAMENTE ALL'APERTO** e far riparare il generatore dall'assistenza tecnica.

► **⚠️ IMPORTANTE:** Tutte le operazioni di pulizia, manutenzione e riparazione che prevedano l'accesso a parti pericolose (come la sostituzione del cavo di alimentazione danneggiato) devono essere svolte dal costruttore, dal suo servizio di assistenza tecnica, da una persona con qualifica simile, in modo da prevenire ogni rischio, anche se è prevista la disconnessione dalla rete di alimentazione.

► **2.1.** Per un corretto uso del generatore e per la conservazione del combustibile, attenersi a tutte le ordinanze locali ed alla normativa vigente.

► **2.2.** Il generatore necessita per il funzionamento di un adeguato ricambio di aria. Pertanto esso va impiegato all'aperto o in stanze con ricambio d'aria assicurato e continuo. Una buona aerazione è assicurata quando il volume della stanza è calcolato sulla potenza termica, con la formula di 1 m<sup>3</sup> ogni 100 W di potenza. In nessun caso il volume raccomandato della stanza deve essere minore di 100 m<sup>3</sup>. Una buona ventilazione è garantita da un'apertura che soddisfi la formula di 25 cm<sup>2</sup> per kW di potenza termica, con un minimo di 250 cm<sup>2</sup>, equamente diviso tra parte superiore e parte inferiore della stanza. Per l'installazione, valgono le norme nazionali vigenti, incluse le norme tecniche e le disposizioni in materia antinfortunistica e di prevenzione degli incendi.

► **2.3.** L'apparecchio deve essere usato solamente come generatore d'aria calda (modalità riscaldamento), o ventilatore (modalità ventilazione, per i modelli che prevedono questa funzionalità). Per l'utilizzo seguire scrupolosamente le presenti istruzioni.

► **2.4.** Il costruttore declina ogni responsabilità per danni a cose e/o persone derivanti dall'uso improprio dell'apparecchio.

► **2.5.** Alimentare il generatore solamente con il tipo di combustibile espressamente specificato e con corrente avente tensione e frequenza indicate sulla targhetta dati applicata sul generatore.

► **2.6.** Assicurarsi di collegare il generatore solo a reti elettriche opportunamente dotate di interruttore differenziale e di adeguata messa a terra.

► **2.7.** Usare solamente prolunghe di adeguata sezione, con filo di messa a terra.

► **2.8.** Il generatore deve funzionare su una superficie livellata, stabile e ignifuga, in modo da evitare rischi di incendio.

► **2.9.** È assolutamente vietato usare l'apparecchio in locali seminterrati o sotto il livello del suolo.

► **2.10.** Il generatore non deve essere usato in locali in cui sono presenti polveri esplosive, fumi, gas, combustibili, solventi, vernici.

► **2.11.** Qualora il generatore sia utilizzato in prossimità di teloni, tende o materiali simili di copertura, si consiglia di usare protezioni aggiuntive di tipo ignifugo. Avere cura di mantenere una distanza adeguata, che in nessun caso deve essere inferiore a 2,5 m da materiali infiammabili (stoffa, carta, legno, ecc.) o termolabili (compreso il cavo di alimentazione), dalle parti calde del generatore.

► **2.12.** Posizionare la bombola gas in posizione protetta, dietro l'apparecchio (Fig. 1). Il generatore non deve mai essere orientato verso la bombola del gas (Fig. 2).

► **2.13.** Per qualsiasi motivo è vietato ostruire completamente, o parzialmente, la presa d'aria (lato posteriore) e/o la bocca d'uscita aria (lato anteriore) (Fig. 3). Evitare di utilizzare qualsiasi canalizzazione aria dal/al generatore. Assicurarsi che non vengano ostruite le feritoie di aspirazione aria presenti sul fondo della base (per i modelli che adottano questa soluzione).



► **2.14.** Nel caso di mancata accensione, o accensione anomala del generatore, consultare l'apposita sezione (Parag. "13. ANOMALIE DI FUNZIONAMENTO, CAUSE E RIMEDI").

► **2.15.** Il generatore quando è in funzione non deve mai essere spostato, maneggiato, né soggetto ad alcun intervento di manutenzione.

► **2.16.** In qualsiasi condizione d'uso, o di stazionamento dell'apparecchio, fare attenzione che il tubo gas flessibile, non venga danneggiato (schiacciato, piegato, torto, teso).

► **2.17.** Se viene percepito odore di gas, spegnere subito l'apparecchio, chiudere la bombola gas, staccare la spina di rete e successivamente contattare l'assistenza tecnica.

► **2.18.** In caso di sostituzione del tubo gas, utilizzare solo tubi di tipo flessibile adeguato alla pressione di utilizzo, facendo riferimento alle regolamentazioni nazionali. Il tubo gas deve avere una lunghezza di 1,5 m.

► **2.19.** Quando l'apparecchio è controllato da un termostato ambiente (articolo optional), il generatore può riaccendersi in qualsiasi momento e cioè quando la temperatura scende sotto la soglia impostata.

► **2.20.** Quando non è utilizzato, scollegare il generatore dalla presa di rete, chiudere l'alimentazione gas, scollegare il tubo gas dal generatore e tappare l'entrata gas sul generatore.

► **2.21.** Far verificare dall'assistenza tecnica almeno una volta all'anno e/o secondo l'esigenza, il corretto funzionamento del generatore.

### ►► 3. TIPO DI COMBUSTIBILE

Usare solo gas della categoria I<sub>3</sub>B/P.

## ►► 4. COLLEGAMENTO E SOSTITUZIONE DELLA BOMBOLA GAS

La bombola gas deve essere sostituita all'aria aperta, lontana da fonti di calore, in atmosfera priva di fiamme.

Per il collegamento della bombola gas al generatore, devono essere utilizzati solo i seguenti accessori:

- Tubo flessibile per gas liquido.
- Regolatore di pressione per gas liquido completo di valvola di sicurezza.

**VERIFICARE L'INTEGRITÀ DEL TUBO GAS DI ALIMENTAZIONE. NEL CASO NECESSITI DI ESSERE SOSTITUITO, UTILIZZARE SOLO TUBO DI TIPO FLESSIBILE, ADEGUATO ALLA PRESSIONE DI UTILIZZO, FACENDO RIFERIMENTO ALLE REGOLAMENTAZIONI NAZIONALI.**

► Per collegare il generatore alla bombola gas:

**ATTENZIONE: TUTTE LE FILETTATURE SONO SINISTRORSE, CIOÈ VANNO SERRATE IN SENSO ANTIORARIO.**

► **4.1.** Avvitare il tubo gas al raccordo del generatore (Fig. 4).

► **4.2.** Installare il regolatore di pressione sulla bombola gas. Assicurarsi che sul regolatore sia presente la guarnizione (se il tipo di attacco la prevede) (Fig. 5).

► **4.3.** Collegare il tubo gas al regolatore di pressione (Fig. 6).

► **4.4.** Aprire il rubinetto della bombola gas (Fig. 7).

► **4.5.** Premere il pulsante sblocco regolatore (Fig. 8). **Verificare la tenuta dei raccordi con acqua saponata: la comparsa di bolle segnalerà eventuali perdite di gas (Fig. 9).** È possibile raccordare fra loro più bombole gas per ottenere una maggiore autonomia. **Si consiglia l'utilizzo di bombole gas di 30 kg, fino alla potenza termica di 33 kW, oltre la potenza di 33 kW utilizzare bombole gas di capacità**

superiore. Si raccomanda l'utilizzo di bombole gas di adeguata capacità, al fine di evitare problemi dovuti alla mancata gasificazione del combustibile. La corretta pressione di funzionamento (vedi targhetta dati applicata sul generatore) è data dal regolatore fornito in dotazione, o da modello equivalente.

## ►► 5. COLLEGAMENTO ALLA RETE ELETTRICA

### VERIFICARE LA CORRETTA MESSA A TERRA DEL VOSTRO IMPIANTO ELETTRICO.

Prima di collegare il generatore alla rete elettrica, assicurarsi che la tensione e la frequenza di alimentazione siano corrette (vedi targhetta dati applicata sul generatore). Il collegamento alla rete elettrica (Fig. 10), va fatto in accordo con le norme nazionali vigenti.

## ►► 6. ACCENSIONE PER I MODELLI MANUALI (... / ...M / ...DV)

**IMPORTANTE:** Per i modelli ...DV, controllare la posizione dell'interruttore cambia tensione (220-240V / 110-120V) (Fig. 11). Se la tensione impostata sull'apparecchio non è corrispondente a quella fornita dalla rete, è necessario operare per adeguare la tensione. Svitare le 2 viti di fissaggio del coperchio (Fig. 12), spostare l'interruttore sul valore di tensione fornita (Fig. 13) e rimontare il coperchio (Fig. 14).

### • 6.1. MODALITÀ RISCALDAMENTO:

► 6.1.1. Portare l'interruttore "O/I" in posizione "I" (Fig. 15).

► 6.1.2. Premere il pulsante gas a fondo e tenerlo premuto (Fig. 16).

► 6.1.3. Azionare a fondo e ripetutamente l'accenditore piezoelettrico (Fig. 17), mantenendo premuto il pulsante gas (Fig. 16).

► 6.1.4. Dopo l'accensione della fiamma, tenere premuto il pulsante gas per circa 15 s (Fig. 18).

► 6.1.5. Rilasciare il pulsante gas (Fig. 19). Nel caso di un'interruzione dell'energia elettrica o per mancanza di gas, l'apparecchio si spegnerà. La riaccensione del generatore non è automatica, ma deve essere svolta manualmente, ripetendo la procedura di accensione.

Se l'apparecchio non si accende, consultare l'apposita sezione (Parag. "13. ANOMALIE DI FUNZIONAMENTO, CAUSE E RIMEDI").

### • 6.2. MODALITÀ VENTILAZIONE:

Il generatore può essere utilizzato anche come ventilatore. Collegare il generatore alla rete elettrica (Fig. 10) e portare l'interruttore "O/I" in posizione "I" (Fig. 15). **N.B.:** Con il generatore funzionante in modalità riscaldamento, prima di passare alla modalità ventilazione, eseguire la corretta sequenza di spegnimento per i modelli manuali [Parag. "9. SPEGNIMENTO PER I MODELLI MANUALI (... / ...M / ...DV)"].

## ►► 7. ACCENSIONE PER I MODELLI ELETTRONICI (...E / ...ET)

► 7.1. Portare l'interruttore "O/I" in posizione "I" (Fig. 15).

► 7.2. Premere il pulsante di "RESET" (Fig. 20).

Il generatore inizia la sequenza di analisi e dopo circa 20÷30 s la fiamma si accende (vedi schema di funzionamento Fig. 21).

Nel caso di un'interruzione dell'energia elettrica o per mancanza di gas, l'apparecchio si spegnerà. La riaccensione del generatore non è automatica, ma deve essere svolta manualmente, premendo il pulsante "RESET" (Fig. 20).



Se l'apparecchio non si accende, consultare l'apposita sezione (Parag. "13. ANOMALIE DI FUNZIONAMENTO, CAUSE E RIMEDI").

**ATTENZIONE:** Nel caso il generatore si arresti a causa dell'intervento del termostato ambiente (articolo optional), la riaccensione dell'apparecchio avviene automaticamente, quando la temperatura scende sotto la soglia impostata.

## ►► 8. REGOLAZIONE POTENZA TERMICA

A seconda della tipologia del generatore, si può regolare la potenza termica dell'apparecchio. La potenza termica può essere regolata agendo sulla manopola posta sulla base del generatore (Fig. 22), o sul regolatore di pressione installato sulla bombola gas (Fig. 23), a seconda del modello.

## ►► 9. SPEGNIMENTO PER I MODELLI MANUALI (... / ...M / ...DV)

- 9.1. Chiudere la bombola gas (Fig. 24).
- 9.2. Lasciare funzionare il ventilatore per circa 60 s, al fine di evitare danni interni per surriscaldamento (raffreddamento interno generatore).
- 9.3. Portare l'interruttore "O/I" in posizione "O" (Fig. 25).
- 9.4. Scollegare il generatore dalla rete elettrica (Fig. 26).
- 9.5. Scollegare il generatore dal tubo alimentazione gas (Fig. 27-28-29).

## ►► 10. SPEGNIMENTO PER I MODELLI ELETTRONICI (...E / ...ET)

- 10.1. Portare l'interruttore "O/I" in posizione "O" (Fig. 25). La fiamma si spegne e il generatore esegue la fase di post-ventilazione. Attendere il completamento del ciclo, al fine di evitare danni interni per surriscaldamento (la fase è automatica

e può durare da 50 s±5 min a seconda della temperatura interna/esterna al generatore).

- 10.2. Chiudere la bombola gas (Fig. 24).

- 10.3. Scollegare il generatore dalla rete elettrica (Fig. 26).

- 10.4. Scollegare il generatore dal tubo alimentazione gas (Fig. 27-28-29).

**N.B.:** Evitare di scollegare il generatore dalla rete elettrica, prima del termine della fase di post ventilazione, al fine di evitare danni interni per surriscaldamento.

## ►► 11. PULIZIA E MANUTENZIONE

Almeno una volta all'anno e/o secondo l'esigenza, far verificare dall'assistenza tecnica il corretto funzionamento del generatore. Prima di riporlo dopo l'uso, l'apparecchio deve essere pulito.

- 11.1. Prima di iniziare qualsiasi tipo di lavoro di manutenzione, cura e riparazione sull'apparecchio, eseguire la sequenza di spegnimento [Parag. "9. SPEGNIMENTO PER MODELLI MANUALI (... / ...M / ...DV)" o "10. SPEGNIMENTO PER MODELLI ELETTRONICI (...E / ...ET)"].

- 11.2. La pulizia riguarda solamente la presa d'aria (lato posteriore) del generatore.

- 11.3. Quando l'apparecchio viene riutilizzato, controllare lo stato d'integrità del tubo del gas e del cavo di alimentazione; se avete dubbi sulla loro integrità, richiedete l'intervento dell'assistenza tecnica.

- 11.4. Non eseguire interventi non autorizzati.

## ►► 12. COLLEGAMENTO TERMOSTATO AMBIENTE (...E / ...ET) (optional)

Rimuovere il tappo collegato all'apparecchio e connettere il termostato ambiente (optional) (Fig. 30).

Vedi schema elettrico (...E / ...ET).

►► 13. ANOMALIE DI FUNZIONAMENTO, CAUSE E RIMEDI

<b>ANOMALIE DI FUNZIONAMENTO</b>	<b>... ...M ...DV</b>	<b>...E ...ET</b>	<b>CAUSE</b>	<b>RIMEDI</b>
Il motore non parte	X	X	Mancata tensione	1°Verificare l'impianto di rete 2°Assistenza tecnica
	X	X	Cavo di alimentazione difettoso/danneggiato	Assistenza tecnica
	X	X	Motore guasto	Assistenza tecnica
		X	Errato collegamento del termostato ambiente	Collegare correttamente il termostato ambiente
La fiamma non si accende	X	X	Bombola gas esaurita	Sostituire la bombola gas (Parag. 4)
	X	X	Valvola di sicurezza regolatore in blocco	1°Premere il pulsante di sblocco gas del regolatore (Fig. 8) 2°Assistenza tecnica
	X	X	Rubinetto bombola gas chiuso	Aprire il rubinetto bombola gas (Fig. 7)
	X	X	Circuito accensione difettoso	Assistenza tecnica
		X	Messa a terra non efficace	Verificare la corretta messa a terra del vostro impianto
La fiamma non rimane accesa	X		Pulsante gas premuto per un tempo non sufficiente	Premere il pulsante gas più a lungo (Parag. 6.1.4.)
	X	X	Generatore difettoso	Assistenza tecnica
Spegnimento della fiamma durante il funzionamento	X	X	Insufficiente alimentazione di gas	1°Sostituire la bombola gas (Parag. 4) 2°Assistenza tecnica
	X	X	Mancata gasificazione del combustibile	Utilizzare bombole gas di adeguata capacità (Parag. 4)
	X	X	Surriscaldamento dell'apparecchio	1°Pulire la presa d'aria (lato posteriore) 2°Assistenza tecnica
	X	X	Generatore difettoso	Assistenza tecnica

## ZUSAMMENFASSUNG DER ABSCHNITTE


1...	<b>BESCHREIBUNG</b>
2...	<b>WARNHINWEISE</b>
3...	<b>ART DES BRENNSTOFFES</b>
4...	<b>ANSCHLUSS UND AUSTAUSCH DER GASFLASCHE</b>
5...	<b>ANSCHLUSS AN DAS STROMNETZ</b>
6...	<b>EINSCHALTUNG DER MANUELLEN MODELLE (... / ...M / ...DV)</b>
7...	<b>EINSCHALTUNG DER ELEKTRONISCHEN MODELLE (...E / ...ET)</b>
8...	<b>REGULIERUNG DER THERMISCHEN LEISTUNG</b>
9...	<b>AUSSCHALTUNG DER MANUELLEN MODELLE (... / ...M / ... DV)</b>
10...	<b>AUSSCHALTUNG DER ELEKTRONISCHEN MODELLE (...E / ...ET)</b>
11...	<b>REINIGUNG UND WARTUNG</b>
12...	<b>ANSCHLUSS DES RAUMTHERMOSTATS (...E / ...ET)</b>
13...	<b>FUNKTIONSTÖRUNGEN, URSACHEN UND ABHILFEN</b>


**WICHTIGER HINWEIS: DIESE BEDIENUNGSANLEITUNG MUSS VOR ZUSAMMENBAU, INBETRIEBNAHME BZW. WARTUNG DES HEIZGERÄTES GELESEN UND VERSTANDEN WORDEN SEIN. FALSCHER GEBRAUCH DES HEIZGERÄTES KANN ZU SCHWEREN VERLETZUNGEN FÜHREN. BEWAHREN SIE DIESE ANLEITUNG ZUM SPÄTEREN NACHSCHLAGEN GUT AUF.**

### ►► 1. BESCHREIBUNG


Dieses tragbare Heizgerät erwärmt die Luft und wird mithilfe von Flüssiggas betrieben. Die Heizleistung des Brennstoffes wird hier über den Wärmeaustausch vollständig ausgenutzt, indem die angesaugte Luft mit dem Brennstoff direkt gemischt wird. Ein praktischer Griff erleichtert den Transport des Geräts. Das Gerät entspricht der Norm EN 1596.

### ►► 2. WARNHINWEISE

►  **WICHTIGER HINWEIS:** Das Gerät darf nicht zum Heizen von Wohnräumen und Wohnhäusern verwendet werden. Für die Verwendung in öffentlichen Gebäuden siehe nationale Bestimmungen.

►  **WICHTIGER HINWEIS:** Dieses Gerät ist nicht geeignet für den Gebrauch durch Personen (einschließlich Kindern) mit begrenzten körperlichen, sensorischen und geistigen Fähigkeiten bzw. ohne ausreichende Fachkenntnis, es sei denn,

sie werden durch eine für ihre Sicherheit verantwortliche Person beaufsichtigt. Kinder sind zu beaufsichtigen, damit sie nicht mit dem Gerät spielen. Halten Sie Haustiere in einem sicheren Abstand zum Heizgerät.

►  **WICHTIGER HINWEIS:** Unsachgemäßer Gebrauch des Heizgerätes kann zu Verletzungen an Personen führen, die durch Verbrennungen, Abschürfungen, Explosionen, Elektroschocks oder Vergiftungen hervorgerufen werden. Die ersten Anzeichen einer Kohlenmonoxidvergiftung sind denen von Grippe mit Kopfschmerzen, Schwindel bzw. Übelkeit ähnlich. Diese Symptome können auf eine Betriebsstörung des Heizgeräts zurückzuführen sein. **SOLLTEN DIESE SYMPTOME AUFTRETEN, SOFORT INS FREIE GEHEN** und das Heizgerät durch den Kundendienst reparieren lassen.

**▶ ⚠ WICHTIGER HINWEIS:** Alle Reinigungs- und Wartungsvorgänge sowie Reparaturen, bei denen auf die gefährlichen Bauteile zugegriffen werden muss (wie den Austausch des beschädigten Versorgungskabels) müssen durch die Herstellerfirma, den Kundendienst und von ähnlich qualifiziertem Personal so vorgenommen werden, dass jedes Risiko vermieden wird, auch wenn hier die Trennung vom Versorgungsnetz vorgesehen ist.

▶ **2.1.** Für einen ordnungsgemäßen Gebrauch des Heizgeräts und der Aufbewahrung des Brennstoffes muss sich an die vor Ort geltenden und normativen Vorschriften gehalten werden.

▶ **2.2.** Für den Betrieb benötigt das Heizgerät eine angemessene Luftzirkulation. Daher darf dieses nur im Außenbereich oder in geschlossenen Räumen mit kontinuierlicher und sichergestellter Luftzirkulation eingesetzt werden. Eine gute Belüftung ist dann sicher gestellt, wenn das Raumvolumen anhand der thermischen Leistung mit der Formel  $100 \text{ W auf } 1 \text{ m}^3$  berechnet wird., In keinem Fall darf das Volumen des Raumes unter  $100 \text{ m}^3$  liegen. Eine ausreichende Belüftung ist dann sichergestellt, wenn die dafür vorgesehene Öffnung  $25 \text{ cm}^2$  pro kW thermischer Leistung mit einem Minimum von  $250 \text{ cm}^2$  aufweist, was gleichermaßen zwischen unterem und oberem Teil des Raumes aufgeteilt ist, Für die Installation gelten die nationalen Vorschriften sowie die technischen Normen und Vorschriften zur Unfall- sowie Brandvermeidung.

▶ **2.3.** Das Gerät darf ausschließlich als Warmlufterzeuger (Heizmodus) oder zur Ventilation (Ventilationsmodus für die Modelle mit dieser Funktion) verwendet werden. Bei der Verwendung müssen die vorliegenden Anweisungen genauestens eingehalten werden.

▶ **2.4.** Die Herstellerfirma lehnt jede Verantwortung für Schäden an Gegenständen und/oder Verletzungen von Personen ab,

die durch unsachgemäßen Gebrauch des Geräts verursacht werden.

▶ **2.5.** Das Heizgerät darf nur mit dem angegebenen Brennstoff versorgt werden und die Stromversorgung muss die auf dem Typenschild angegebene Spannung und Frequenz aufweisen.

▶ **2.6.** Es muss darauf geachtet werden, dass das Heizgerät nur an Stromversorgungsnetze mit FI-Schutzschalter und dafür geeigneter Erdung angeschlossen wird.

▶ **2.7.** Es dürfen nur Verlängerungsleitungen mit entsprechendem Querschnitt und Erdungsleitung verwendet werden.

▶ **2.8.** Das Heizgerät darf nur auf einer ebenen, stabilen und feuerfesten Unterlage in Betrieb genommen werden, damit Brandgefahr vermieden werden kann.

▶ **2.9.** Es ist absolut verboten das Gerät in Kellergeschossen oder unterirdischen Räumen in Betrieb zu nehmen.

▶ **2.10.** Das Heizgerät darf nicht in Räumen benutzt werden, in denen sich entzündlicher Staub, Rauch, Gas sowie entzündliche Brennstoffe, Lösungsmittel oder Farben befinden.

▶ **2.11.** Sollte das Heizgerät nahe von Planen, Zelten oder ähnlichen Materialien in Betrieb genommen werden, wird empfohlen entsprechende zusätzliche feuerfeste Abdeckungen zu verwenden. Zwischen brennbaren (Stoffe, Papiere, Holz etc.) bzw. wärmeempfindlichen Stoffen (einschließlich des Netzkabels) und den heißen Teilen des Geräts ist ein ausreichender Abstand von nicht weniger als 2,5 m einzuhalten.

▶ **2.12.** Die Glasflasche in einer geschützten Position hinter dem Gerät aufbewahren (Abb. 1). Das Heizgerät darf niemals in Richtung Gasflaschen ausgerichtet werden (Abb. 2).

▶ **2.13.** Aus keinem Grund dürfen die Luftaufnahmen (Rückseite) und/oder der Luftauslass (Vorderseite) vollständig oder teilweise verschlossen werden (Abb. 3). Es muss vermieden werden, Luftleitsysteme vom/zum Heizgerät zu verwenden. Es muss sichergestellt werden, dass die Öffnungen zum Ansaugen der Luft am



Boden (für Modelle mit dieser Lösung) nicht verschlossen werden.

► **2.14.** Sollte sich das Gerät nicht ordnungsgemäß einschalten oder bei der Einschaltung Störungen auftreten, den entsprechenden Abschnitt konsultieren (Abschnitt „13. FUNKTIONSTÖRUNGEN, URSACHEN UND ABHILFEN“).

► **2.15.** Befindet sich das Gerät in Betrieb darf es niemals bewegt oder verändert und ebenso wenig dürfen Wartungseingriffe vorgenommen werden.

► **2.16.** Unter jeder Betriebs- oder Aufstellungsbedingung des Gerätes muss darauf geachtet werden, dass der Gasschlauch nicht beschädigt wird (gedrückt, geknickt, verdreht, lang gezogen).

► **2.17.** Sollte Gasgeruch wahrgenommen werden, muss das Gerät sofort ausgeschaltet, die Gasflasche geschlossen, der Netzstecker herausgezogen und danach der Kundendienst verständigt werden.

► **2.18.** Wird der Gasschlauch ersetzt, darf nur ein für den Betriebsdruck geeigneter Schlauch verwendet werden, wobei sich an die nationalen Vorschriften gehalten werden muss. Der Gasschlauch muss eine Länge von 1,5 m aufweisen.

► **2.19.** Wird das Heizgerät über ein Raumthermostat (optionales Zubehör) gesteuert, kann sich dieses jeder Zeit einschalten, d. h. wenn die Temperatur unter eine eingestellte Grenze fällt.

► **2.20.** Sollte dieses nicht verwendet werden, das Heizgerät vom Stromnetz trennen, die Gasversorgung schließen, den Gasschlauch vom Heizgerät entfernen und den Eingang der Restzufuhr verschließen.

► **2.21.** Mindestens einmal im Jahr und/oder je nach Bedarf die Funktionsweise des Heizgerätes vom Kundendienst überprüfen lassen.

### ►► 3. ART DES BRENNSTOFFES

Es darf nur Gas der Klasse I<sub>3</sub>B/P verwendet werden.

### ►► 4. ANSCHLUSS UND AUSTAUSCH DER GASFLASCHE

Die Glasflasche muss im Freien und außerhalb der Reichweite von Wärmequellen, Funken sowie Flammen ausgewechselt werden.

Zum Anschluss der Gasflasche an das Heizgerät darf ausschließlich folgendes Zubehör verwendet werden:

- Schlauch für Flüssiggase.
- Druckregler für Flüssiggase mit Sicherheitsventil.

**DENSCHLAUCH GASVERSORGUNG AUF SCHÄDEN KONTROLLIEREN. SOLLTE DIESER AUSGETAUSCHT WERDEN MÜSSEN, NUR DURCH EINEN FÜR DEN BETRIEBSDRUCK GEEIGNETEN SCHLAUCH ERSETZEN, WOBEI SICH AN DIE NATIONAL EN VORSCHRIFTEN GEHALTEN WERDEN.**

► Für den Anschluss der Gasflasche an das Heizgerät:

**ACHTUNG: ALLE SCHRAUBVERBINDUNGEN SIND LINKSGÄNGIG, D. H. DIESE WERDEN ENTGEHEN UHRZEIGERSINN FESTGESCHRAUBT.**

► **4.1.** Den Gasschlauch an die Verbindung des Heizgerätes anschrauben (Abb. 4).

► **4.2.** Den Druckregler an die Gasflasche anbringen. Dabei muss sichergestellt werden, dass sich am Druckregler eine Dichtung (wenn der Anschluss dies vorsieht) befindet (Abb. 5).

► **4.3.** Den Gasschlauch mit dem Druckregler verbinden (Abb. 6).

► **4.4.** Den Hahn der Gasflasche öffnen (Abb. 7).

► **4.5.** Den Schalter zur Freigabe des Reglers betätigen (Abb. 8). **Mithilfe von Seifenwasser prüfen, dass die Verbindungsdichtungen undurchlässig sind. Chemisch sondern man darf sind Seifenblasen zu erkennen, weist dies auf eventuellen Gasaustritt hin (Abb. 9).** Zur Erhöhung der autonomen Betriebsdauer besteht die Möglichkeit mehrere Gasflaschen miteinander zu verbinden. **Es wird empfohlen Gasflaschen**

von 30 kg mit einer thermischen Leistung von bis zu 33 kW sowie bei über 33 kW mit entsprechend höherer Kapazität zu verwenden. Damit Probleme aufgrund der fehlenden Vergasung des Brennstoffes vermieden werden, müssen Gasflaschen mit entsprechender Kapazität verwendet werden. Der richtige Betriebsdruck (Typenschild am Heizgerät) wird vom Druckregler vorgegeben, der in der Ausstattung enthalten ist oder von gleichwertigen Modellen.

## ►► 5. ANSCHLUSS AN DAS STROMNETZ

### PRÜFEN, DASS DIE ELEKTRISCHE ANLAGE MIT EINER VORSCHRIFTSMÄSSIGEN ERDUNG AUSGESTATTET IST.

Vor Anschluss des Heizgerätes an das Stromnetz, muss geprüft werden, dass Spannung und Versorgungsfrequenz wie vorgegeben vorhanden sind (siehe Typenschild am Heizgerät). Der Stromanschluss (Abb. 10) muss gemäß den geltenden nationalen Vorschriften vorgenommen werden.

## ►► 6. EINSCHALTUNG DER MANUELLEN MODELLE (... / ...M / ...DV)

**WICHTIGER HINWEIS:** Für die Modelle ...DV muss die Position des Schalters zur Spannungsänderung (220-240V / 110-120V) (Abb. 11) geprüft werden. Sollte die am Gerät eingestellte Spannung nicht der vom Netz zugeführten entsprechen, muss diese angeglichen werden. Die beiden Befestigungsschrauben des Deckels (Abb. 12) lösen, den Schalter auf den Wert der zugeführten Spannung stellen (Abb. 13) und den Deckel wieder anbringen (Abb. 14).

### • 6.1. HEIZMODUS:

► 6.1.1. Den Schalter auf „O/I“ in Position „I“ (Abb. 15) bringen.

► 6.1.2. Den Gasschalter am Boden betätigen und gedrückt halten (Abb. 16).

► 6.1.3. Den piezoelektrischen Zünder am Boden (Abb. 17) wiederholt betätigen, wobei der Gasschalter gedrückt gehalten werden muss (Abb. 16).

► 6.1.4. Nachdem die Flamme entzündet wurde, muss der Gasschalter noch weitere 15 s (Abb. 18) gedrückt gehalten werden.

► 6.1.5. Gasschalter loslassen (Abb. 19). Wird die Strom- oder Gaszufuhr unterbrochen, schaltet sich das Gerät aus. Das erneute Einschalten des Heizgerätes erfolgt nicht automatisch. Dies muss manuell vorgenommen werden, indem der Entzündungsvorgang wiederholt wird.

Sollte sich das Gerät nicht einschalten, entsprechenden Abschnitt (Abschnitt „13. FUNKTIONSTÖRUNGEN, URSACHEN UND ABHILFEN“) konsultieren.

### • 6.2. VENTILATIONSMODUS:

Das Gerät können auch als Ventilator genutzt werden. Hierfür das Gerät hat an die Stromversorgung anschließen (Abb. 10) und den Schalter „O/I“ in die Position „I“ (Abb. 15) bringen.

**HINWEIS:** Bevor das Heizgerät vom Heizmodus in den Ventilationsmodus gebracht werden kann, muss für die manuellen Modelle die Ausschaltung ordnungsgemäß vorgenommen werden [Abschnitt „9. AUSSCHALTUNG DER MANUELLEN MODELLE (... / ...M / ...DV)“].

## ►► 7. EINSCHALTUNG DER ELEKTRONISCHEN MODELLE (...E / ...ET)

► 7.1. Den Schalter auf „O/I“ in Position „I“ (Abb. 15) bringen.

► 7.2. Den Reset-Schalter betätigen (Abb. 20).

Das Gerät beginnt mit der Analyse und nach 20÷30 s entzündet sich die Flamme (siehe Funktionsplan Abb. 21).

Wird die Strom- oder Gaszufuhr unterbrochen, schaltet sich das Gerät aus.

Das erneute Einschalten des Heizgeräts erfolgt nicht automatisch. Dies muss manuell vorgenommen werden, indem der Schalter „RESET“ (Abb. 20) betätigt wird.

Sollte sich das Gerät nicht einschalten, entsprechenden Abschnitt (Abschnitt „13. FUNKTIONSTÖRUNGEN, URSACHEN UND ABHILFEN“).

**ACHTUNG:** Sollte sich das Heizgerät aufgrund eines Eingriffes des Raumthermostats (optionales Zubehör) ausgeschaltet werden, erfolgt die erneute Einschaltung automatisch, wenn die Temperatur unter die eingegebene Grenze sinkt.

## ►► 8. REGULIERUNG DER THERMISCHEN LEISTUNG

Je nach Art des Heizgerätes kann seine thermische Leistung reguliert werden. Die thermische Leistung wird je nach Modell über den Reglerknopf an der Basis des Gerätes (Abb. 22) oder am Druckregler der Gasflasche (Abb. 23) eingestellt.

## ►► 9. AUSSCHALTUNG DER MANUELLEN MODELLE (... / ...M / ...DV)

- 9.1. Gasflasche schließen (Abb. 24).
- 9.2. Damit Schäden im Inneren aufgrund von Überhitzung vermieden werden, muss der Ventilator für ungefähr 60 s laufen.
- 9.3. Den Schalter auf „O/I“ in Position „O“ (Abb. 25) bringen.
- 9.4. Heizgerät vom Stromnetz nehmen (Abb. 26).
- 9.5. Den Gasschlauch vom Heizgerät trennen (Abb. 27-28-29).

## ►► 10. AUSSCHALTUNG DER ELEKTRONISCHEN MODELLE (...E / ...ET)

► 10.1. Den Schalter auf „O/I“ in Position „O“ (Abb. 25) bringen. Die Flamme erlischt und das Heizgerät geht in die Phase der Nach-Belüftung über. Warten bis der Zyklus beendet wurde, damit keine Schäden im Inneren aufgrund von Überhitzung entstehen

(diese Automatikphase kann je nach Innen-/ Außentemperatur des Heizgerätes von 50 s±5 min dauern).

- 10.2. Gasflasche schließen (Abb. 24).
  - 10.3. Heizgerät vom Stromnetz nehmen (Abb. 26).
  - 10.4. Den Gasschlauch vom Heizgerät trennen (Abb. 27-28-29).
- HINWEIS:** Damit Schäden aufgrund von Überhitzung vermieden werden, sollte das Gerät nicht von der Stromversorgung getrennt werden, bevor die Phase der Nach-Belüftung abgeschlossen ist.

## ►► 11. REINIGUNG UND WARTUNG

Mindestens einmal im Jahr und/oder je nach Bedarf muss die Funktionsweise des Heizgerätes vom Kundendienst überprüft werden. Bevor das Gerät wieder in Betrieb genommen wird, muss es gereinigt werden.

► 11.1. Vor Beginn jedes Wartungs- oder Instandhaltungseingriffs sowie Reparatur des Gerätes muss dieses vollständig ausgeschaltet werden [Abschnitt „9. AUSSCHALTUNG DER MANUELLEN MODELLE (... / ...M / ...DV)“ oder „10. AUSSCHALTUNG DER ELEKTRONISCHEN MODELLE (...E / ...ET)“].

► 11.2. Gereinigt wird lediglich der Bereich der Luftaufnahmen (Rückseite) des Heizgeräts.

► 11.3. Wird das Gerät wieder in Betrieb genommen, muss der Gasschlauch und das Versorgungskabel auf Schäden geprüft werden. Sollten sich hieran Zweifel ergeben, muss mit dem Kundendienst ein Eingriff vereinbart werden.

► 11.4. Es dürfen niemals Eingriffe am Gerät vorgenommen werden, die nicht autorisiert wurden.

## ►► 12. ANSCHLUSS DES RAUMTHERMOSTATS (...E / ...ET) (optional)

Den am Gerät angebrachten Deckel entfernen und das Raumthermostat (optional) anschließen (Abb. 30).

Siehe Schaltplan (...E / ...ET).



### ►► 13. FUNKTIONSTÖRUNGEN, URSACHEN UND ABHILFEN

<b>FUNKTIONSSTÖRUNG</b>	<b>... ...M ...DV</b>	<b>...E ...ET</b>	<b>URSACHEN</b>	<b>ABHILFEN</b>
Der Motor startet nicht	X	X	Keine Spannung vorhanden	1° Elektrische Anlage überprüfen 2° Technischer Kundendienst
	X	X	Versorgungskabel defekt/beschädigt	Technischer Kundendienst
	X	X	Motor defekt	Technischer Kundendienst
		X	Falscher Anschluss des Raumthermostats	Raumthermostat ordnungsgemäß anschließen
Flamme entzündet sich nicht	X	X	Gasflasche aufgebraucht	Gasflasche ersetzen (Abschnitt 4)
	X	X	Sicherheitsventil des Reglers gesperrt	1° Schalter des Reglers zur Sperrung der Gas zuvor betätigen (Abb. 8) 2° Technischer Kundendienst
	X	X	Hahn der Gasflaschen geschlossen	Hahn der Gasflasche öffnen (Abb. 7)
	X	X	Schaltkreis der Einschaltung defekt	Technischer Kundendienst
		X	Erdung nicht ausreichend	Erdungsleitung der elektrischen Anlage überprüfen
Flamme erlischt nicht	X		Gasschalter wurde nicht ausreichend lang betätigt	Gasschalter länger gedrückt halten (Abschnitt 6.1.4.)
	X	X	Heizgerät defekt	Technischer Kundendienst
Flamme erlischt während des Betriebs	X	X	Gaszufuhr unzureichend	1° Gasflasche ersetzen (Abschnitt 4) 2° Technischer Kundendienst
	X	X	Vergasung des Brennstoffes nicht ausreichend	Gasflasche mit ausreichender Kapazität verwenden (Abschnitt 4)
	X	X	Überhitzung des Gerätes	1° Luftaufnahme reinigen (Rückseite) 2° Technischer Kundendienst
	X	X	Heizgerät defekt	Technischer Kundendienst

## ÍNDICE DE LOS APARTADOS

1...	<b>DESCRIPCIÓN</b>
2...	<b>ADVERTENCIAS</b>
3...	<b>TIPO DE COMBUSTIBLE</b>
4...	<b>CONEXIÓN Y SUSTITUCIÓN DE LA BOMBONA DE GAS</b>
5...	<b>CONEXIÓN A LA RED ELÉCTRICA</b>
6...	<b>ENCENDIDO PARA LOS MODELOS MANUALES (... / ...M / ...DV)</b>
7...	<b>ENCENDIDO PARA LOS MODELOS ELECTRÓNICOS (...E / ...ET)</b>
8...	<b>REGULACIÓN DE LA POTENCIA TÉRMICA</b>
9...	<b>APAGADO PARA LOS MODELOS MANUALES (... / ...M / ...DV)</b>
10...	<b>APAGADO PARA LOS MODELOS ELECTRÓNICOS (...E / ...ET)</b>
11...	<b>LIMPIEZA Y MANTENIMIENTO</b>
12...	<b>CONEXIÓN DEL TERMOSTATO AMBIENTE (...E / ...ET)</b>
13...	<b>ANOMALÍAS DE FUNCIONAMIENTO, CAUSAS Y SOLUCIONES</b>

**IMPORTANTE: LEA Y COMPRENDA ESTE MANUAL OPERATIVO ANTES DE REALIZAR EL ENSAMBLADO, LA PUESTA EN FUNCIONAMIENTO O EL MANTENIMIENTO DE ESTE GENERADOR. EL USO INCORRECTO DEL GENERADOR PUEDE CAUSAR LESIONES GRAVES. CONSERVE ESTE MANUAL PARA FUTURAS CONSULTAS.**

### ►► 1. DESCRIPCIÓN

Este generador es un calentador de aire portátil que funciona con gas líquido, y se caracteriza por el aprovechamiento total del combustible mediante el intercambio térmico por mezcla directa entre el aire aspirado y los productos de la combustión. Cuenta con una manilla práctica para facilitar su transporte y el desplazamiento. El equipo está realizado de acuerdo con la norma EN 1596.

### ►► 2. ADVERTENCIAS

►⚠ **IMPORTANTE:** No lo use para la calefacción de las áreas habitables de edificios residenciales; para el uso en edificios públicos consulte los reglamentos nacionales.

►⚠ **IMPORTANTE:** Este equipo no es indicado para el uso por parte de personas (incluidos los niños) con capacidades físicas, sensoriales y

mentales reducidas, o inexpertas, a no ser que sean controladas por una persona responsable de su seguridad. Se debe controlar a los niños para que no jueguen con el equipo. Mantenga a los animales a una distancia de seguridad del equipo.

►⚠ **IMPORTANTE:** El uso inapropiado de este generador puede provocar daños o peligro de vida a personas, lesiones, quemaduras, explosiones, electrochoque o envenenamiento. Los primeros síntomas de asfixia debida al óxido de carbono se parecen a los de la gripe con cefaleas, mareos o náusea. La causa de estos síntomas podría ser el funcionamiento defectuoso del generador. Si ESTOS SÍNTOMAS SE PRESENTAN, SALGA INMEDIATAMENTE AL AIRE LIBRE y llame a la asistencia técnica para que repare el generador.

▶ **⚠ IMPORTANTE:** Todas las operaciones de limpieza, mantenimiento y reparación que prevén el acceso a partes peligrosas (como la sustitución del cable de alimentación dañado) las debe realizar el fabricante, su servicio de asistencia técnica o una persona con una cualificación parecida, para prevenir cualquier riesgo, aunque esté prevista la desconexión de la red de alimentación.

▶ **2.1.** Para un uso correcto del generador, y para la conservación del combustible atégase a todas las disposiciones locales y a la normativa vigente.

▶ **2.2.** El generador necesita un adecuado recambio de aire para poder funcionar. Por eso, se debe usar al aire libre o en habitaciones con un recambio de aire seguro y continuo. Una aireación buena está asegurada cuando el volumen de la habitación se calcula sobre la potencia térmica con la fórmula de  $1 \text{ m}^3$  por cada 100 W de potencia. De ninguna manera el volumen recomendado de la habitación debe ser menor de  $100 \text{ m}^3$ . Una buena ventilación se garantiza con una apertura que satisfaga la fórmula de  $25 \text{ cm}^2$  por kW de potencia térmica, con un mínimo de  $250 \text{ cm}^2$  dividido equamente entre la parte superior y la inferior de la habitación. Para la instalación valen las normas nacionales vigentes, incluidas las normas técnicas y las disposiciones en materia de prevención de accidentes y de incendios.

▶ **2.3.** El equipo se debe usar solo como generador de aire caliente (modo calefacción) o ventilador (modo ventilación, para los modelos que prevén esta funcionalidad). Para el uso siga escrupulosamente las presentes instrucciones.

▶ **2.4.** El fabricante declina toda responsabilidad por daños a personas o cosas debidos al uso inapropiado del equipo.

▶ **2.5.** Alimente el generador solo con el tipo de combustible expresamente especificado y con una corriente de tensión y frecuencia como las que se indica en la placa de datos colocada en el generador.

▶ **2.6.** Asegúrese de conectar el generador solo a redes eléctricas que tengan el interruptor diferencial y la puesta a tierra adecuada.

▶ **2.7.** Use solo alargadores con la sección adecuada y con hilo de puesta a tierra.

▶ **2.8.** El generador debe trabajar sobre una superficie nivelada, estable e ignífuga para evitar riesgos de incendio.

▶ **2.9.** Se prohíbe absolutamente usar el equipo en semisótanos o bajo el nivel del suelo.

▶ **2.10.** El generador no se debe usar en locales donde haya polvos explosivos, humos, gases, combustibles, disolventes, pinturas.

▶ **2.11.** Si el generador se usa cerca de lonas, cortinas o materiales de cobertura parecidos, se aconseja utilizar protecciones adicionales ignífugas. Es necesario mantener una distancia adecuada respecto a las partes calientes del generador, que de ninguna manera debe ser inferior a 2,5 m de materiales inflamables (tela, papel, madera, etc.) o termolábiles (incluido el cable de alimentación).

▶ **2.12.** Coloque la bombona de gas en una posición protegida detrás del equipo (Fig. 1). El generador no debe estar orientado nunca hacia la bombona de gas (Fig. 2).

▶ **2.13.** Se prohíbe obstruir completa o parcialmente la toma de aire (lado posterior) y/o la boca de salida de aire (lado anterior) por ninguna razón (Fig. 3). No use ninguna canalización de aire desde o hacia el generador. Controle que las ranuras de aspiración de aire presentes en el fondo de la base (para los modelos que adoptan esta solución) no estén obstruidas.

► **2.14.** En caso de fallo de encendido o de encendido anómalo del generador consulte la correspondiente sección (Apdo. "13. ANOMALÍAS DE FUNCIONAMIENTO, CAUSAS Y SOLUCIONES").

► **2.15.** No se debe desplazar, manipular, ni realizar ninguna intervención de mantenimiento en el generador cuando está en funcionamiento.

► **2.16.** Preste atención a no dañar el tubo de gas flexible (que no debe estar aplastado, doblado, torcido o tenso) en cualquier condición de uso o de estacionamiento del equipo.

► **2.17.** Si siente olor a gas, apague el equipo inmediatamente, cierre la bombona de gas, desconecte el enchufe de red y luego contacte con la asistencia técnica.

► **2.18.** En caso de sustitución del tubo de gas, use solo tubos de tipo flexible adecuados para la presión de uso en relación con las reglamentaciones nacionales. El tubo de gas debe tener una longitud de 1,5 m.

► **2.19.** Cuando el equipo está controlado por un termostato ambiente (artículo opcional) el generador se puede volver a encender en cualquier momento, o sea, cuando la temperatura baja a menos del umbral configurado.

► **2.20.** Cuando no se usa, desconecte el generador de la toma de red, cierre la alimentación de gas, desconecte el tubo de gas del generador y tape la entrada de gas del generador.

► **2.21.** El funcionamiento correcto del generador debe ser controlado por la asistencia técnica por lo menos una vez al año o en dependencia de las necesidades.

### ►► **3. TIPO DE COMBUSTIBLE**

Use solo gas de la categoría I<sub>3</sub>B/P.

### ►► **4. CONEXIÓN Y SUSTITUCIÓN DE LA BOMBONA DE GAS**

La bombona de gas se debe sustituir al aire libre, lejos de fuentes de calor, en una atmósfera sin llamas.

Para conectar la bombona de gas al generador use exclusivamente los siguientes accesorios:

- Tubo flexible para gas líquido.
- Regulador de presión para gas líquido con válvula de seguridad.

**CONTROLE QUE EL TUBO DE GAS DE ALIMENTACIÓN ESTÉ ÍNTEGRO. SI HAY QUE SUSTITUIRLO, USE SOLO UN TUBO FLEXIBLE ADECUADO PARA LA PRESIÓN DE USO EN RELACIÓN CON LAS REGLAMENTACIONES NACIONALES.**

► Para conectar el generador a la bombona de gas:

**ATENCIÓN: TODAS LAS ROSCAS SON SINISTRORSAS, O SEA QUE SE DEBEN APRETAR EN SENTIDO ANTIHORARIO.**

► **4.1.** Enrosque el tubo de gas al racor del generador (Fig. 4).

► **4.2.** Instale el regulador de presión en la bombona de gas. Controle que el regulador tenga la junta, si el tipo de conexión la prevé (Fig. 5).

► **4.3.** Conecte el tubo de gas al regulador de presión (Fig. 6).

► **4.4.** Abra la llave de la bombona de gas (Fig. 7).

► **4.5.** Pulse el botón para desbloquear el regulador (Fig. 8).

**Controle la estanqueidad de los racores con agua jabonosa: si aparecen burbujas quiere decir que hay pérdidas de gas (Fig. 9).**

Es posible empalmar varias bombonas de gas entre sí, para obtener una autonomía mayor. **Se recomienda usar bombonas de gas de 30 kg hasta la potencia térmica de 33 kW; por encima de 33 kW, use bombonas de gas con una capacidad superior. Se recomienda usar bombonas de gas de capacidad adecuada para**



evitar problemas debidos a la falta de gasificación del combustible. La presión de funcionamiento correcta (vea la placa de datos colocada en el generador) se debe al regulador suministrado o a un modelo equivalente.

## ▶▶ 5. CONEXIÓN A LA RED ELÉCTRICA

### CONTROLE QUE LA PUESTA A TIERRA DE SU INSTALACIÓN ELÉCTRICA SEA CORRECTA.

Antes de conectar el generador a la red eléctrica controle que la tensión y la frecuencia de alimentación sean correctas (vea la placa de datos colocada en el generador). La conexión a la red eléctrica (Fig. 10) se debe realizar de acuerdo con las normas nacionales vigentes.

## ▶▶ 6. ENCENDIDO PARA LOS MODELOS MANUALES (... / ...M / ...DV)

**IMPORTANTE:** Para los modelos ...DV, controle la posición del interruptor cambia tensión (220-240V / 110-120V) (Fig. 11). Si la tensión configurada en el equipo no corresponde con la suministrada por la red, hay que adaptarla. Desenrosque los dos tornillos de fijación de la tapa (Fig. 12), ponga el interruptor en el valor de tensión suministrada (Fig. 13) y vuelva a montar la tapa (Fig. 14).

### • 6.1. MODO DE CALEFACCIÓN:

▶ 6.1.1. Ponga el interruptor "O/I" en la posición "I" (Fig. 15).

▶ 6.1.2. Pulse el botón del gas hasta el fondo y manténgalo pulsado (Fig. 16).

▶ 6.1.3. Accione a fondo varias veces el encendedor piezoeléctrico (Fig. 17), manteniendo pulsado el botón de gas (Fig. 16).

▶ 6.1.4. Después que se enciende la llama, mantenga pulsado el botón del gas por unos 15 s (Fig. 18).

▶ 6.1.5. Suelte el botón del gas (Fig. 19). El equipo se apaga en caso de interrupción de la energía eléctrica o si falta el gas. El generador no se vuelve a encender automáticamente, sino que hay que volver a repetir manualmente el procedimiento de encendido.

Si el equipo no se enciende, consulte la correspondiente sección (Apdo. "13. ANOMALÍAS DE FUNCIONAMIENTO, CAUSAS Y SOLUCIONES").

### • 6.2. MODO DE VENTILACIÓN:

El generador también se puede utilizar como ventilador. Conecte el generador a la red eléctrica (Fig. 10) y ponga el interruptor "O/I" en la posición "I" (Fig. 15). **Nota:** Con el generador en funcionamiento en modo de calefacción, antes de pasar al modo de ventilación, realice correctamente el procedimiento de apagado para los modelos manuales [Apdo. "9. APAGADO PARA LOS MODELOS MANUALES (... / ...M / ...DV)"].

## ▶▶ 7. ENCENDIDO PARA LOS MODELOS ELECTRÓNICOS (...E / ...ET)

▶ 7.1. Ponga el interruptor "O/I" en la posición "I" (Fig. 15).

▶ 7.2. Pulse el botón de "RESET" (Fig. 20). El generador comienza la secuencia de análisis y después de alrededor de 20÷30 s la llama se enciende (vea el esquema de funcionamiento Fig. 21).

El equipo se apaga en caso de interrupción de la energía eléctrica o si falta el gas. El generador no se vuelve a encender automáticamente, sino que hay que volverlo a encender manualmente pulsando el botón "RESET" (Fig. 20).

Si el equipo no se enciende, consulte la correspondiente sección (Apdo. "13. ANOMALÍAS DE FUNCIONAMIENTO, CAUSAS Y SOLUCIONES").

**ATENCIÓN:** Si el generador se detiene por una intervención del termostato ambiente (artículo opcional) el equipo se vuelve a encender automáticamente cuando la temperatura se pone por debajo del umbral configurado.

## ▶▶ 8. REGULACIÓN DE LA POTENCIA TÉRMICA

La potencia térmica del equipo se puede regular en función del tipo de generador. La potencia térmica se puede regular mediante el botón puesto en la base del generador (Fig. 22) o en el regulador de presión instalado en la bombona de gas (Fig. 23), según el modelo.

## ▶▶ 9. APAGADO PARA LOS MODELOS MANUALES (... / ...M / ...DV)

- ▶ 9.1. Cierre la bombona de gas (Fig. 24).
- ▶ 9.2. Deje funcionar el ventilador por unos 60 s para evitar daños internos debidos al sobrecalentamiento (enfriamiento interno del generador).
- ▶ 9.3. Ponga el interruptor "O/I" en la posición "O" (Fig. 25).
- ▶ 9.4. Desconecte el generador de la red eléctrica (Fig. 26).
- ▶ 9.5. Desconecte el generador del tubo de alimentación del gas (Fig. 27-28-29).

## ▶▶ 10. APAGADO PARA LOS MODELOS ELECTRÓNICOS (...E / ...ET)

- ▶ 10.1. Ponga el interruptor "O/I" en la posición "O" (Fig. 25). La llama se apaga y el generador realiza la fase de post-ventilación. Espere a que el ciclo termine para evitar daños internos por sobrecalentamiento (la fase es automática y puede durar de 50 s÷5 min en dependencia de la temperatura interior/ exterior del generador).
- ▶ 10.2. Cierre la bombona de gas (Fig. 24).
- ▶ 10.3. Desconecte el generador de la red eléctrica (Fig. 26).

▶ 10.4. Desconecte el generador del tubo de alimentación del gas (Fig. 27-28-29).  
**Nota:** Evite desconectar el generador de la red eléctrica, antes del término de la fase de post ventilación, para evitar daños internos debidos al sobrecalentamiento.

## ▶▶ 11. LIMPIEZA Y MANTENIMIENTO

El funcionamiento correcto del generador debe ser controlado por la asistencia técnica por lo menos una vez al año o en dependencia de las necesidades. Limpie el equipo antes de guardarlo después del uso.

- ▶ 11.1. Antes de realizar cualquier tipo de trabajo de mantenimiento, cuidado y reparación del equipo, realice el procedimiento de apagado [Apdo. "9. APAGADO PARA LOS MODELOS MANUALES (... / ...M / ...DV)" o "10. APAGADO PARA LOS MODELOS ELECTRÓNICOS (...E / ...ET)"].
- ▶ 11.2. La limpieza concierne solo la toma de aire (lado posterior) del generador.
- ▶ 11.3. Cuando vuelva a utilizar el equipo, controle el estado de integridad del tubo de gas y del cable de alimentación; si tiene dudas sobre su integridad, solicite la intervención de la asistencia técnica.
- ▶ 11.4. No realice intervenciones no autorizadas.

## ▶▶ 12. CONEXIÓN DEL TERMOSTATO AMBIENTE (...E / ...ET) (opcional)

Quite el tapón conectado al equipo y conecte el termostato ambiente (opcional) (Fig. 30).  
Vea el esquema eléctrico (...E / ...ET).

### ►► 13. ANOMALÍAS DE FUNCIONAMIENTO, CAUSAS Y SOLUCIONES

ANOMALÍAS DE FUNCIONAMIENTO	... ...M ...DV	...E ...ET	CAUSAS	SOLUCIONES
El motor no arranca	X	X	Falta de tensión	1°Check the mains system 2°After-sales assistance
	X	X	Cable de alimentación defectuoso/dañado	Asistencia técnica
	X	X	Motor averiado	Asistencia técnica
		X	Conexión incorrecta del termostato ambiente	Conecte el termostato ambiente correctamente
La llama no se enciende	X	X	Bombona de gas agotada	Sustituya la bombona de gas (Apdo. 4)
	X	X	Válvula de seguridad del regulador bloqueada	1°Pulse el botón para desbloquear el gas del regulador (Fig. 8) 2°Asistencia técnica
	X	X	Llave de la bombona de gas cerrada	Abra la llave de la bombona de gas (Fig. 7)
	X	X	Circuito de encendido defectuoso	Asistencia técnica
		X	Puesta a tierra ineficaz	Controle la correcta puesta a tierra de su instalación
La llama no se queda encendida	X		Botón del gas pulsado durante un tiempo insuficiente	Pulse el botón del gas por un tiempo más prolongado (Apdo. 6.1.4.)
	X	X	Generador defectuoso	Asistencia técnica
Apagado de la llama durante el funcionamiento	X	X	Alimentación de gas insuficiente	1°Sustituya la bombona de gas (Apdo. 4) 2°Asistencia técnica
	X	X	Falta de gasificación del combustible	Use bombonas de gas con capacidad adecuada (Apdo. 4)
	X	X	Sobrecalentamiento del equipo	1°Limpie la toma de aire (lado posterior) 2°Asistencia técnica
	X	X	Generador defectuoso	Asistencia técnica



## SOMMAIRE DES PARAGRAPHES

1...	<i>DESCRIPTION</i>
2...	<i>AVERTISSEMENTS</i>
3...	<i>TYPE DE COMBUSTIBLE</i>
4...	<i>CONNEXION ET REMPLACEMENT DE LA BOUTEILLE DE GAZ</i>
5...	<i>CONNEXION AU RÉSEAU ÉLECTRIQUE</i>
6...	<i>ALLUMAGE POUR LES MODÈLES MANUELS (... / ...M / ...DV)</i>
7...	<i>ALLUMAGE POUR LES MODÈLES ÉLECTRONIQUES (...E / ...ET)</i>
8...	<i>RÉGULATION DE LA PUISSANCE THERMIQUE</i>
9...	<i>ARRÊT POUR LES MODÈLES MANUELS (... / ...M / ...DV)</i>
10...	<i>ARRÊT POUR LES MODÈLES ÉLECTRONIQUES (...E / ...ET)</i>
11...	<i>NETTOYAGE ET ENTRETIEN</i>
12...	<i>CONNEXION DU THERMOSTAT D'AMBIANCE (...E / ...ET)</i>
13...	<i>RÉSOLUTION DES PROBLÈMES</i>

**IMPORTANT: LIRE ET COMPRENDRE CE MANUEL OPERATIF AVANT D'EFFECTUER L'ASSEMBLAGE, LA MISE EN MARCHÉ OU L'ENTRETIEN DE CE GÉNÉRATEUR. UNE MAUVAISE UTILISATION PEUT CAUSER DES GRAVES BLESSURES. VEUILLEZ GARDER CE MANUEL COMME RÉFÉRENCE FUTURE.**

### ►► 1. DESCRIPTION

Ce générateur est un chauffage d'air chaud portable qui fonctionne à gaz liquide, caractérisé par l'usage total du combustible, à travers un échange thermique pour le mélange direct entre l'air aspirée et les produits de la combustion. Il est fourni avec une poignée pratique qui facilite le déplacement et la manutention. L'appareil est produit selon la Norme EN 1596.

### ►► 2. AVERTISSEMENTS

►⚠ **IMPORTANT:** Ne pas utiliser cet appareil pour le chauffage de maisons ou édifices résidentiels; pour l'utilisation dans des édifices publics, faire référence aux réglementations nationales.

►⚠ **IMPORTANT:** Cet appareil n'est pas adapté à l'utilisation de la part de personnes (enfants inclus) avec capacités physiques, sensorielles ou

mentales réduites, ou de la part de personnes pas expertes, au moins que ils ne soient sous la surveillance d'une personne responsable de leur sécurité. Les enfants doivent être sous contrôle, pour s'assurer qu'ils ne jouent pas avec l'appareil. Les animaux doivent être tenus à distance de l'appareil.

►⚠ **IMPORTANT:** L'utilisation inappropriée de ce générateur peut provoquer des dommages ou danger de vie, blessures, brûlures, explosions, électrochoc ou empoisonnement. Les premiers symptômes d'asphyxie par monoxyde de carbone sont similaires à ceux de la grippe, avec céphalée, vertiges et/ou nausée. Ces symptômes pourraient être causés par un fonctionnement défectueux du générateur. **AU CAS OÙ CES SYMPTOMES SE PRÉSENTENT, SORTEZ IMMÉDIATEMENT AU DEHORS et faites réparer le générateur par l'assistance technique.**

► **⚠ IMPORTANT:** Toutes les opérations de nettoyage, entretien et réparation qui prévoient l'accès à des parties dangereuses (comme le remplacement d'un câble d'alimentation endommagé) doivent être faites par le producteur, par son service après vente, par une personne qualifiée ou similaire, afin de prévenir tout risque, même si on prévoit la déconnexion du réseau d'alimentation.

► **2.1.** Pour une utilisation correcte du générateur et pour la conservation du combustible, se tenir à toutes les ordonnances locales et aux réglementations en vigueur.

► **2.2.** Pour son fonctionnement, le générateur nécessite d'un rechange d'air adéquat. Il doit alors être positionné à l'extérieur ou dans des pièces avec rechange d'air assuré et continu. Une bonne aération est assurée quand le volume de la pièce est calculé sur la puissance technique, avec la formule de  $1 \text{ m}^3$  tous les 100 W de puissance. En aucun cas le volume recommandé de la pièce doit être inférieur à  $100 \text{ m}^3$ . Une bonne ventilation est assurée par une ouverture qui satisfait la formule de  $25 \text{ cm}^2$  par kW de puissance thermique, avec un minimum de  $250 \text{ cm}^2$ , également divisé entre partie supérieure et partie inférieure de la pièce. Pour l'installation, se référer aux normes nationales en vigueur, inclus les normes techniques et les dispositions en matière de prévention des accidents du travail et des incendies.

► **2.3.** L'appareil doit être utilisé comme générateur d'air chaud (modalité chauffage), ou ventilateur (modalité ventilation, pour les modales qui prévoient cette fonction). Pour l'utilisation suivez attentivement ces instructions.

► **2.4.** Le fabricant rejette toute responsabilité pour dégâts/dommages à objets ou personnes qui dérive d'une utilisation inappropriée de l'appareil.

► **2.5.** Alimenter le générateur exclusivement avec le type de combustible clairement indiqué et avec courant électrique avec tension et fréquence indiquées sur la plaquette des données appliquée sur le générateur.

► **2.6.** Assurez-vous de connecter le générateur seulement à des réseaux électriques opportunément dotés d'un interrupteur différentiel et d'une mise à terre adéquate.

► **2.7.** Utiliser seulement des rallonges avec section adéquate, avec connexion à terre.

► **2.8.** Le générateur doit fonctionner sur une surface nivelée, stable et ignifuge, de façon d'éviter les risques d'incendie.

► **2.9.** Il est absolument défendu d'utiliser l'appareil dans des locaux sous-sol.

► **2.10.** Le générateur ne doit pas être utilisé dans des locaux où sont présents des poudres explosives, des fumées, du gaz, combustibles, solvants, vernis.

► **2.11.** Au cas où le générateur soit utilisé près de bâches, tentes ou matériels de couverture similaires, on conseille d'utiliser des protections ultérieures de type ignifuge. Faire attention à maintenir une distance adéquate, qui dans aucun cas doit être inférieure à 2,5 m loin des matériels inflammables (tissu, papier, bois) ou sensibles à la température (y compris le câble d'alimentation), des parties chaudes du générateur.

► **2.12.** Positionner la bouteille de gaz en position protégée, derrière l'appareil (Fig. 1). Le générateur ne doit pas être orienté dans le sens de la bouteille de gaz (Fig. 2).

► **2.13.** Pour toute motivation, il est interdit de obstruer complètement ou partiellement la prise d'air (coté postérieur) et/ou la bouche de sortie d'air (coté antérieur) (Fig. 3). Éviter d'utiliser quelque canalisation air du/au générateur. Assurez-vous que les fissures d'aspiration d'air présentes sur le fond de la base ne soit pas obstruées (pour les modèles qui adoptent cette solution).

► **2.14.** Au cas où la mise en marche ne fonctionne, ou il y a une anomalie, consultez le chapitre relatif (Parag. "13. *RESOLUTION DES PROBLEMES*").

► **2.15.** Lorsque le générateur est en fonction, vous ne devez jamais le déplacer, manier, ou faire quelconque intervention d'entretien.

► **2.16.** En toute condition d'utilisation, de stationnement de l'appareil, faites attention que le tuyau flexible du gaz ne soit pas endommagé (écrasé, plié, tordu, tendu).

► **2.17.** Si vous apercevez une odeur de gaz, éteignez immédiatement l'appareil, fermez la bouteille de gaz et débranchez la prise du réseau et successivement contacter l'assistance technique.

► **2.18.** En cas de remplacement du tuyau du gaz, utilisez seulement des tuyaux flexibles adéquates à la pression d'utilisation, en faisant référence aux réglementations nationales. Le tuyau du gaz doit avoir une longueur de 1,5 m.

► **2.19.** Au cas où l'appareil soit contrôlé par un thermostat d'ambiance (article en option), le générateur peut redémarrer à tout moment et donc quand la température est au dessous du niveau choisi.

► **2.20.** Lorsque le générateur n'est pas utilisé, le déconnecter de la prise du réseau, fermer l'alimentation du gaz, déconnecter le tuyau gaz du générateur et fermer l'entrée du gaz sur le générateur.

► **2.21.** Faire vérifier le fonctionnement correct du générateur par l'assistance technique au moins une fois par an et/ou selon l'exigence.

### ►► **3. TYPE DE COMBUSTIBLE**

Utilisez seulement le gaz de la catégorie I<sub>3</sub>B/P.

### ►► **4. RACCORDEMENT ET REMPLACEMENT DE LA BOUTEILLE DE GAZ**

La bouteille de gaz doit être remplacée à l'air ouvert, loin de sources de chaleur, en atmosphère sans flammes.

Pour le raccordement de la bouteille de gaz au générateur, les accessoires suivants doivent être utilisés:

- Tuyau flexible pour le gaz liquide.
- Détendeur de pression pour gaz liquide complet avec soupape de sécurité.

**VÉRIFIER QUE LE TUYAU DU GAZ SOIT INTACT. AU CAS OÙ IL DOIT ÊTRE REMPLACÉ, UTILISER EXCLUSIVEMENT UN TUYAU DE TYPE FLEXIBLE, ADÉQUAT À LA PRESSION D'UTILISATION, EN FAISANT RÉFÉRENCE AUX RÉGLEMENTATIONS NATIONALES.**

► Pour connecter le générateur à la bouteille de gaz:

**ATTENTION: TOUTES LES ENFILAGES SONT SÉNESTRES, DONC DOIVENT ÊTRE SERRÉS DANS LE SENS INVERSE DES AIGUILLES D'UNE MONTRE.**

► **4.1.** Visser le tuyau du gaz au raccordement du générateur (Fig. 4).

► **4.2.** Installer le détendeur de pression sur la bouteille de gaz. S'assurer que le joint soit présent sur le détendeur (si le type de connexion le prévoit) (Fig. 5).

► **4.3.** Connecter le tuyau gaz au détendeur de pression (Fig. 6).

► **4.4.** Ouvrir le robinet de la bouteille de gaz (Fig. 7).

► **4.5.** Appuyer sur le bouton de déblocage du détendeur (Fig. 8). **Vérifier la résistance des raccordement avec de l'eau savonneuse: des pertes de gaz seront éventuellement signalées par la formation de boules (Fig. 9).** Il est possible de raccorder plusieurs bouteilles de gaz entre elles afin d'obtenir une autonomie majeure. **On conseille l'utilisation de bouteilles de gaz de 30**

kg, jusqu'à la puissance thermique de 33 kW; au dessus de la puissance de 33 kW veuillez utiliser des bouteilles de gaz avec capacité supérieure. On recommande l'utilisation de bouteilles de gaz avec capacité adéquate, afin d'éviter des problèmes du au manque de gazéification dans le combustible. Une correcte pression de fonctionnement (voir la plaquette des données appliquée sur le générateur) est donnée par le détenteur fourni en dotation, ou modèle équivalent.

## ►► 5. CONNEXION AU RÉSEAU ELECTRIQUE

**VERIFIER QUE VOTRE RESEAU ELECTRIQUE EST CORRECTEENT BRANCHÉ À TERRE.**

Avant de connecter le générateur au réseau électrique, assurez-vous que la tension et la fréquence d'alimentation soient correctes (voir plaquette appliquée sur le générateur). La connexion au réseau électrique (Fig. 10), doit être fait en accord avec les normes nationales en vigueur.

## ►► 6. ALLUMAGE POUR LES MODÈLES MANUELS (... / ...M / ...DV)

**IMPORTANT:** Pour les modèles ...DV, vérifiez le positionnement de l'interrupteur (220-240V / 110-120V) (Fig. 11). Si la tension fixée sur l'appareil ne correspond pas à celle fournie par le réseau, il est nécessaire d'intervenir pour régler la tension. Desserrez les 2 vis de fixation du couvercle (Fig. 12), et bougez l'interrupteur sur la valeur de tension fournie (Fig. 13) et réinstallez le couvercle (Fig. 14).

### • 6.1. MODE DE CHAUFFAGE:

► 6.1.1. Porter l'interrupteur us "O/I" en position "I" (Fig. 15).

► 6.1.2. Appuyez sur le bouton gaz à fond et maintenir la pression (Fig. 16).

► 6.1.3. Actionnez à fond plusieurs fois l'igniteur piézo-électrique (Fig. 17), en appuyant continuellement sur le bouton du gaz (Fig. 16).

► 6.1.4. Après l'allumage de la flamme, maintenir la pression sur le bouton du gaz pour 15 s environ (Fig. 18).

► 6.1.5. Déclencher le bouton du gaz (Fig. 19).

Dans le cas d'interruption de l'énergie électrique ou manque de gaz, l'appareil va s'éteindre. Le redémarrage du générateur n'est pas automatique, mais doit être effectué manuellement, en répétant la procédure d'accension.

Si l'appareil ne s'allume pas, consultez le paragraphe de référence (Parag. "13. RESOLUTION DES PROBLEMES").

### • 6.2. MODALITÉ DE VENTILATION:

Le générateur peut être utilisé aussi comme ventilateur. Connecter le générateur au réseau électrique (Fig. 10) et porter l'interrupteur "O/I" en position "I" (Fig. 15).

**N.B.:** Avec le générateur en fonction en modalité "chauffage", avant de passer à la modalité "ventilation", suivre une correcte séquence d'éteignement pour les modèles manuels [Parag. "9. ARRÊT POUR LES MODÈLES MANUELS (... / ...M / ...DV)"].

## ►► 7. ALLUMAGE POUR LES MODELES ELECTRONIQUES (...E / ...ET)

► 7.1. Portez l'interrupteur "O/I" en position "I" (Fig. 15).

► 7.2. Appuyez le bouton "RESET" (Fig. 20).

Le générateur commence la séquence d'analyse et après 20÷30 s environ la flamme s'allume (voir schéma de fonctionnement Fig. 21).

Dans le cas d'interruption de l'énergie électrique ou pour un manque de gaz, l'appareil va s'éteindre. Le redémarrage du générateur n'est pas automatique, mais doit être effectué manuellement, en



appuyant sur le bouton "RESET" (Fig. 20). Si l'appareil ne démarre, consultez le paragraphe de référence (Parag. "13. RESOLUTION DES PROBLEMES").

**ATTENTION:** Au cas où le générateur s'arrête à cause de l'intervention du thermostat d'ambiance (article optionnel), le redémarrage de l'appareil se passe automatiquement, quand la température va au dessous du niveau choisi.

## ►► 8. REGULATION DE LA PUISSANCE THERMIQUE

Selon le type de générateur, on peut régler la puissance thermique de l'appareil. La puissance thermique peut être réglée en utilisant la poignée sur la base du générateur (Fig. 22), ou du régulateur de pression installé sur la bouteille de gaz, selon le modèle.

## ►► 9. ARRÊT DES MODELES MANUELS (... / ...M / ...DV)

- 9.1. Fermer la bouteille de gaz (Fig. 24).
- 9.2. Laisser fonctionner le ventilateur pendant environ 60 s, afin d'éviter des dommages internes à cause du surchauffe (refroidissement intérieur du générateur).
- 9.3. Porter l'interrupteur "O/I" en position "O" (Fig. 25).
- 9.4. Déconnecter le générateur du réseau électrique (Fig. 26).
- 9.5. Déconnecter le générateur du tuyau d'alimentation du gaz (Fig. 27-28-29).

## ►► 10. ARRÊT POUR MODELES ELECTRONIQUES (...E / ...ET)

► 10.1. Porter l'interrupteur "O/I" en position "O" (Fig. 25). La flamme s'éteint et le générateur effectue la phase de post-ventilation. Attendre le complètement du cycle, afin d'éviter des dommages internes à cause du surchauffe (cette phase est automatique et peut durer 50 s÷5 min selon la température interne/extérieure au générateur).

► 10.2. Fermez la bouteille de gaz (Fig. 24).  
► 10.3. Déconnecter le générateur du réseau électrique (Fig. 26).

► 10.4. Déconnecter le générateur du tuyau d'alimentation du gaz (Fig. 27-28-29).

**N.B.:** Éviter de déconnecter le générateur du réseau électrique, avant la fin de la phase de post-ventilation, afin d'éviter des dommages internes pour surchauffe.

## ►► 11. NETTOYAGE ET ENTRETIEN

Au moins une fois par an/ou selon chaque exigence, faire vérifier par l'assistance technique le fonctionnement correct du générateur. Avant de le stocker après utilisation, l'appareil doit être nettoyé.

► 11.1. Avant de commencer quelconque type de travail de manutention, entretien et réparation de l'appareil, suivre la procédure d'éteignement [Parag. "9. ARRÊT POUR LES MODELES MANUELS (... / ...M / ...DV)" ou "10. ARRÊT POUR LES MODELES ELECTRONIQUES (...E / ...ET)"].

► 11.2. Le nettoyage concerne exclusivement la prise d'air (coté postérieur) du générateur.

► 11.3. Lorsque l'appareil est utilisé de nouveau, veuillez contrôler que le tuyau du gaz et le câble d'alimentation soient intègre; si vous avez de doutes sur leur intégrité, demandez l'intervention de l'assistance technique.

► 11.4. Ne pas exécuter des interventions non autorisés.

## ►► 12. RACCORDEMENT DU THERMOSTAT D'AMBIANCE (...E / ...ET) (optionnel)

Enlever le bouchon connecté à l'appareil et connecter le thermostat d'ambiance (optionnel) (Fig. 30).

Voir le schéma électrique (...E / ...ET).



### ►► 13. RESOLUTIONS DES PROBLEMES DE FONCTIONNEMENT

<b>ANOMALIES DE FONCTIONNEMENT</b>	<b>... ...M ...DV</b>	<b>...E ...ET</b>	<b>CAUSES</b>	<b>REMEDES</b>
Le moteur ne démarre pas	X	X	Manque de tension	1°Vérifier le réseau 2°Assistance technique
	X	X	Tuyau d'alimentation défectueux/ endommagé	Assistance technique
	X	X	Moteur en panne	Assistance technique
		X	Mauvaise connexion du thermostat d'ambiance	Connecter correctement le thermostat d'ambiance
La flamme ne s'allume pas	X	X	Bouteille de gaz épuisée	Remplacer la bouteille de gaz (Parag. 4)
	X	X	Soupape de sécurité du détendeur bloquée	1°Appuyer sur le touche de déblocage du gaz sur le détendeur (Fig. 8) 2°Assistance technique
	X	X	Le robinet de la bouteille de gaz est fermé	Ouvrir le robinet de la bouteille de gaz (Fig. 7)
	X	X	Circuit d'allumage défectueux	Assistance technique
		X	Messa a terra non efficace	Vérifiez que la mise à terre de votre connexion est correcte
La flamme ne reste pas allumée	X		Le bouchon du gaz n'est pas touché longtemps	Appuyez sur le bouton du gaz plus longtemps (Parag. 6.1.4.)
	X	X	Générateur défectueux	Assistance technique
La flamme s'éteint pendant le fonctionnement	X	X	Alimentation du gaz insuffisante	1°Remplacer la bouteille de gaz (Parag. 4) 2°Assistance technique
	X	X	Manque de gazéification du combustible	Utiliser les bouteilles de gaz de capacité adéquate (Parag. 4)
	X	X	Surchauffe de l'appareil	1°Nettoyer la prise d'air (coté postérieur) 2°Assistance technique
	X	X	Générateur défectueux	Assistance technique

## OVERZICHT PARAGRAFEN

1...	<b>BESCHRIJVING</b>
2...	<b>WAARSCHUWINGEN</b>
3...	<b>TYPE BRANDSTOF</b>
4...	<b>AANSLUITING EN VERVANGING VAN DE GASFLES</b>
5...	<b>AANSLUITING OP HET ELEKTRISCHE NET</b>
6...	<b>INSCHAKELING BIJ DE MANUELE MODELLEN (... / ...M / ...DV)</b>
7...	<b>INSCHAKELING BIJ DE ELEKTRONISCHE MODELLEN (...E / ...ET)</b>
8...	<b>AFSTELLING THERMISCH VERMOGEN</b>
9...	<b>UITSCHAKELING BIJ DE MANUELE MODELLEN (... / ...M / ...DV)</b>
10...	<b>UITSCHAKELING BIJ DE ELEKTRONISCHE MODELLEN (...E / ...ET)</b>
11...	<b>SCHOONMAAK EN ONDERHOUD</b>
12...	<b>AANSLUITING OMGEVINGSTHERMOSTAAT (...E / ...ET)</b>
13...	<b>WERKINGSPROBLEMEN, OORZAKEN EN OPLOSSINGEN</b>

**BELANGRIJK: DEZE WERKHANDLEIDING EERST LEZEN EN BEGRIJPEN VOORALEER DE ASSEMBLAGE, DE INWERKINGSTELLING OF HET ONDERHOUD VAN DEZE GENERATOR UIT TE VOEREN. VERKEERD GEBRUIK VAN DE GENERATOR KAN ERNSTIGE LETSELS VEROORZAKEN. BEWAAR DEZE HANDLEIDING VOOR RAADPLEGING IN DE TOEKOMST.**

### ►► 1. BESCHRIJVING

Deze generator is een draagbare luchtverwarmer die op vloeibaar gas werkt, gekenmerkt door volledige benutting van de brandstof door middel van thermische uitwisseling door rechtstreekse vermenging tussen aangezogen lucht en de verbrandingsproducten. Het toestel is voorzien van een praktische handgreep om het transport en de verplaatsing te vergemakkelijken. Het toestel werd gebouwd conform met de norm EN 1596.

### ►► 2. WAARSCHUWINGEN

►⚠ **BELANGRIJK:** Niet gebruiken voor verwarming van bewoonbare zones van woongebouwen; voor gebruik in openbare gebouwen moet men de nationale reglementen raadplegen.

►⚠ **BELANGRIJK:** Dit toestel is niet geschikt om gebruikt te worden door personen (kinderen inbegrepen) met beperkte fysieke, sensorische en

mentale capaciteiten, of zonder ervaring, tenminste als ze niet onder toezicht staan van een persoon die verantwoordelijk is voor hun veiligheid. Men moet erop toezien dat kinderen niet met het toestel spelen. Houd dieren op veilige afstand van het toestel.

►⚠ **BELANGRIJK:** Oneigenlijk gebruik van deze generator kan schade veroorzaken of een gevaar betekenen voor het leven van personen, letsels en brandwonden veroorzaken, en ontploffingen, elektrische schokken of vergiftiging. De eerste symptomen van koolmonoxidevergiftiging lijken op die van griep, met hoofdpijn, duizeligheid en/of braken. Dergelijke symptomen kunnen veroorzaakt worden door een slechte werking van de generator. **ALS DEZE SYMPTOMEN ZICH ZOULDEN VOORDOEN, MOET MEN ONMIDDELIJK NAAR BUITEN GAAN** en de generator laten repareren door de technische dienst.

► **⚠ BELANGRIJK: Alle werkzaamheden voor schoonmaak, onderhoud en reparatie die de toegang voorzien tot gevaarlijke onderdelen (zoals het vervangen van een beschadigde voedingskabel) moeten door de constructeur, door zijn technische dienst, of door een persoon met gelijkaardige kwalificatie worden uitgevoerd om elk risico te voorkomen, zelfs als voorzien werd om van het voedingsnet los te koppelen.**

► **2.1.** Voor een correct gebruik van de generator en voor het bewaren van de brandstof dient men zich aan alle plaatselijke bepalingen en aan de geldende normen te houden.

► **2.2.** De generator heeft een geschikte luchtverversing nodig voor zijn werking. Daarom moet die in openlucht worden gebruikt of in lokalen met een verzekerde, continue luchtverversing. Een goede verluchting is verzekerd wanneer het volume van de kamer berekend is op het thermische vermogen, volgende de formule  $1 \text{ m}^3$  voor iedere 100 W vermogen. In geen enkel geval mag het aanbevolen volume van de ruimte minder dan  $100 \text{ m}^3$  bedragen. Een goede ventilatie wordt verzekerd door een opening die voldoet aan de formule  $25 \text{ cm}^2$  per kW thermisch vermogen, met een minimum van  $250 \text{ cm}^2$ , evenredig verdeeld over het bovenste en onderste gedeelte van de ruimte. Voor de installatie gelden de nationale normen die van kracht zijn, met inbegrip van de technische normen en de bepalingen betreffende veiligheid en brandpreventie.

► **2.3.** Het toestel mag enkel als generator van warme lucht worden gebruikt (modus verwarming), of als ventilator (modus ventilatie, voor de modellen die deze functie voorzien). Volg nauwgezet de instructies voor het gebruik.

► **2.4.** De constructeur wijst iedere verantwoordelijkheid af voor schade aan

voorwerpen en/of personen voortvloeiend uit oneigenlijk gebruik van het toestel.

► **2.5.** De generator enkel voeden met het uitdrukkelijk gespecificeerde type brandstof en met stroom doe een spanning en frequentie heeft zoals aangegeven op het label met gegevens dat op de generator is aangebracht.

► **2.6.** Zorg ervoor de generator enkel aan te sluiten op elektrische netten die correct voorzien zijn van een differentiaalschakelaar en met voldoende aarding.

► **2.7.** Gebruik enkel verlengstukken met voldoende doorsnede, met een aardingskabel.

► **2.8.** De generator moet op een vlak, stabiel en brandveilig oppervlak werken, zodat brandgevaar voorkomen wordt.

► **2.9.** Het is absoluut verboden om het toestel in halfondergrondse lokalen of onder de grond te gebruiken.

► **2.10.** De generator mag niet worden gebruikt in lokalen waar explosieve poeders, rookgassen, gassen, brandstoffen, solventen en verf aanwezig zijn.

► **2.11.** Wanneer de generator wordt gebruikt in de buurt van dekzeilen, tenten of gelijkaardig afdek materiaal, is het aanbevolen om extra brandveilige beschermingen te gebruiken. Zorg ervoor om voldoende afstand te behouden, de warme delen van de generator mogen in geen enkel geval minder dan 2,5 m. van brandbare materialen (stoffen, papier, hout, enz.) of warmtegevoelig materiaal (met inbegrip van de voedingskabel) verwijderd zijn.

► **2.12.** Plaats de gasfles op een beschermde plaats achter het toestel (Fig. 1). De generator mag nooit naar de gasfles gericht zijn (Fig. 2).

► **2.13.** Het is uitdrukkelijk verboden om de luchtaanvoer (achterkant) en/of de opening van de luchtuitlaat (voorkant) geheel of gedeeltelijk af te dekken (Fig. 3). Vermijd om een kanalisering van de lucht van/ naar de generator te gebruiken. Verzeker u

ervan dat de spleten voor luchtaanzuiging aan de onderkant van de basis niet worden afgedekt (voor de modellen die deze oplossing toepassen).

► **2.14.** Wanneer de generator niet of moeilijk inschakelt, moet men de speciale sectie raadplegen (Parag. "13. WERKINGSPROBLEMEN, OORZAKEN EN OPLOSSINGEN").

► **2.15.** Wanneer de generator in werking is, mag die nooit worden verplaatst of onderworpen worden aan een onderhoudsinterventie.

► **2.16.** In alle gebruiksomstandigheden of bij het opbergen van het toestel moet men erop letten dat de flexibele gasleiding niet wordt beschadigd (platgedrukt, geplooid, getorst, uitgerokken).

► **2.17.** Indien men een gasgeur waarneemt, moet men direct het toestel uitschakelen, de gasfles sluiten, de stekker uit het stopcontact halen en daarna de technische dienst contacteren.

► **2.18.** Wanneer de gasleiding wordt vervangen, mag men enkel flexibele buizen gebruiken die geschikt zijn voor de werkdruk, conform met de nationale reglementeringen. De gasleiding moet 1,5 m. lang zijn.

► **2.19.** Wanneer het toestel door een omgevingsthermostaat wordt gecontroleerd (optioneel artikel), kan de generator op elk willekeurig moment opnieuw inschakelen, dat betekent wanneer de temperatuur onder de ingestelde drempel daalt.

► **2.20.** Wanneer de generator niet wordt gebruikt, moet men de stekker uit het stopcontact halen, de gastoevoer afsluiten, de gasleiding van de generator loskoppelen en de gasingang op de generator afdichten.

► **2.21.** Laat de technische dienst minstens één keer per jaar en/of naargelang de noodzaak controleren of de generator correct werkt.

### ►► 3. TYPE BRANDSTOF

Gebruik enkel gas van categorie I<sub>3</sub>B/P.

### ►► 4. AANSLUITING EN VERVANGING VAN DE GASFLES

De gasfles moet in openlucht worden vervangen, ver van warmtebronnen in een omgeving zonder vlammen.

Om de gasfles op de generator aan te sluiten, mag men enkel de volgende accessoires gebruiken:

- Flexibele buis voor vloeibaar gas.
- Drukregelaar voor vloeibaar gas, compleet met veiligheidsklep.

**CONTROLEER DE INTEGRITEIT VAN DE LEIDING VOOR GASTOEVOER. WANNEER DEZE VERVANGEN MOET WORDEN, MAG MEN ENKEL EEN FLEXIBELE BUIS GEBRUIKEN, DIE AAN DE WERKDRUK IS AANGEPAST, CONFORM MET DE NATIONALE REGLEMENTERINGEN.**

► Om de generator op de gasfles aan te sluiten:

**OPGEPAST: ALLE SCHROEFDRAAD IS LINKSOM DRAAIEND, DIT BETEKEN DAT ZE IN TEGENWIJZERZIN WORDEN VASTGEZET.**

► **4.1.** De gasleiding op de koppeling van de generator vastschroeven (Fig. 4).

► **4.2.** De drukregelaar op de gasfles installeren. Controleer of de pakking op de regelaar aanwezig is (als het koppelingstype dit voorziet) (Fig. 5).

► **4.3.** De gasleiding op de drukregelaar aansluiten (Fig. 6).

► **4.4.** De kraan van de gasfles openen (Fig. 7).

► **4.5.** De knop voor deblokkering van de regelaar indrukken (Fig. 8). **Controleer met zeepsop of de koppelingen hermetisch dicht zijn: wanneer er zich bellen vormen, betekent dit dat er eventueel gaslekken zijn (Fig. 9).** Men kan meerdere gasflessen onderling met elkaar verbinden om een grotere autonomie te bekomen. **Het is aanbevolen om gasflessen van 30 kg te gebruiken tot een thermisch vermogen van 33 kW, boven het vermogen van 33 kW moet men gasflessen met een grotere**



capaciteit gebruiken. Het is aanbevolen om gasflessen van voldoende capaciteit te gebruiken, om problemen te vermijden die veroorzaakt worden doordat de brandstof niet vergast. De correcte werkdruk (zie label met gegevens dat op de generator is aangebracht) wordt door de regelaar gegeven die bij de uitrusting is meegeleverd, of door een gelijkaardig model.

## ►► 5. AANSLUITING OP HET ELEKTRISCHE NET CONTROLEER OF UW ELEKTRISCHE INSTALLATIE CORRECT GEAARD IS.

Vooraleer de generator op het elektrische net aan te sluiten, moet men controleren of de spanning en de voedingsfrequentie correct zijn (zie label met gegevens dat op de generator is aangebracht). De aansluiting op het elektrische net (Fig. 10) dient te gebeuren conform met de geldende nationale normen.

## ►► 6. INSCHAKELING BIJ DE MANUELE MODELLEN (... / ...M / ...DV)

**BELANGRIJK:** Bij de modellen ...DV moet men de positie van de schakelaar voor spanningsomschakeling controleren (220-240V / 110-120V) (Fig. 11). Als de spanning die op het toestel is ingesteld niet overeenkomt met de spanning die door het net wordt geleverd, moet men de spanning gaan aanpassen. Draai de 2 bevestigingsschroeven van de afdekking los (Fig. 12), zet de schakelaar op de aangegeven spanningswaarde (Fig. 13) en hermonteer de afdekking (Fig. 14).

### • 6.1. MODUS VERWARMING:

► 6.1.1. Zet de schakelaar "O/I" op de stand "I" (Fig. 15).

► 6.1.2. Druk de gasknop helemaal in en houd die ingedrukt (Fig. 16).

► 6.1.3. Activeer de piëzo-elektrische ontsteking helemaal en herhaaldelijk (Fig.

17) terwijl u de gasknop ingedrukt houdt (Fig. 16).

► 6.1.4. Na ontsteking van de vlam moet men de gasknop nog circa 15 s ingedrukt houden (Fig. 18).

► 6.1.5. Laat de gasknop weer los (Fig. 19). In geval van een elektrische stroomonderbreking of als er geen gas is, zal het toestel uitgaan. De generator start niet automatisch opnieuw op. Dit moet manueel gebeuren door de procedure voor inschakeling te herhalen.

Indien het toestel niet aangaat, moet men de betreffende sectie raadplegen (Parag. "13. WERKINGSPROBLEMEN, OORZAKEN EN OPLOSSINGEN").

### • 6.2. MODUS VENTILATIE:

De generator kan ook als ventilator worden gebruikt. Sluit de generator aan op het elektrische net (Fig. 10) en zet de schakelaar "O/I" op de stand "I" (Fig. 15).

**N.B.:** Als de generator in modus verwarming aan het werk is, moet men de correcte sequentie voor het uitschakelen volgen voor de manuele modellen vooraleer over te gaan naar de modus ventilatie [Parag. "9. UITSCHAKELING BIJ DE MANUELE MODELLEN (... / ...M / ...DV)"].

## ►► 7. INSCHAKELING BIJ DE ELEKTRONISCHE MODELLEN (...E / ...ET)

► 7.1. Zet de schakelaar "O/I" op de stand "I" (Fig. 15).

► 7.2. Druk op de "RESET" knop (Fig. 20). De generator begint de sequentie voor analyse en na circa 20÷30 s gaat de vlam aan (zie werkingsschema Fig. 21).

In geval van een elektrische stroomonderbreking of als er geen gas is, zal het toestel uitgaan. De generator start niet automatisch opnieuw op. Dit moet manueel gebeuren door de "RESET" knop in te drukken (Fig. 20).

Indien het toestel niet aangaat, moet men de betreffende sectie raadplegen (Parag. "13.



WERKINGSPROBLEMEN, OORZAKEN EN OPLOSSINGEN”).

**OPGEPAST:** Wanneer de generator stilvalt door interventie van de omgevingsthermostaat (optioneel artikel), gebeurt de heropstart van het toestel automatisch wanneer de temperatuur onder de ingestelde drempel daalt.

## ►► 8. AFSTELLING THERMISCH VERMOGEN

Naargelang het type generator kan men het thermische vermogen van het toestel regelen. Het thermische vermogen kan worden geregeld aan de hand van de draaiknop op de basis van de generator (Fig. 22), of op de drukregelaar die op de gasfles is geïnstalleerd (Fig. 23), naargelang het model.

## ►► 9. UITSCHAKELING BIJ DE MANUELE MODELLEN (... / ...M / ...DV)

- 9.1. Sluit de gasfles (Fig. 24).
- 9.2. Laat de ventilator gedurende circa 60 s werken, om interne schade wegens oververhitting te vermijden (interne koeling van de generator).
- 9.3. Zet de schakelaar “O/I” op de stand “O” (Fig. 25).
- 9.4. Koppel de generator los van het elektrische net (Fig. 26).
- 9.5. Koppel de generator los van de gastoevoerleiding (Fig. 27-28-29).

## ►► 10. UITSCHAKELING BIJ DE ELEKTRONISCHE MODELLEN (...E / ...ET)

► 10.1. Zet de schakelaar “O/I” op de stand “O” (Fig. 25). De vlam gaat uit en de generator voert de fase post-ventilatie uit. Wacht tot de cyclus voltooid is, om interne schade wegens oververhitting te vermijden (de fase gebeurt automatisch en kan van 50 s±5 min duren naargelang de interne/externe temperatuur van de generator).

- 10.2. Sluit de gasfles (Fig. 24).
  - 10.3. Koppel de generator los van het elektrische net (Fig. 26).
  - 10.4. Koppel de generator los van de gastoevoerleiding (Fig. 27-28-29).
- N.B.:** Vermijd om de generator van het elektrische net los te koppelen vóór het einde van de fase post ventilatie, om interne schade wegens oververhitting te vermijden.

## ►► 11. SCHOONMAAK EN ONDERHOUD

Laat de technische dienst minstens één keer per jaar en/of naargelang de noodzaak controleren of de generator correct werkt. Vooraleer het toestel weer in gebruik te stellen, moet het worden schoongemaakt.

- 11.1. Vooraleer werkzaamheden voor onderhoud, schoonmaak en reparatie op het toestel te beginnen, moet men de sequentie voor uitschakeling volgen [Parag. “9. UITSCHAKELING BIJ DE MANUELE MODELLEN (... / ...M / ...DV)” of “10. UITSCHAKELING BIJ DE ELEKTRONISCHE MODELLEN (...E / ...ET)”].
- 11.2. De schoonmaak betreft enkel de luchtaanvoer (achterkant) van de generator.
- 11.3. Wanneer het toestel opnieuw wordt gebruikt, moet men de staat van integriteit van de gasleiding en van de voedingskabel controleren; indien u twijfels hebt over hun integriteit, dient u de technische dienst om een interventie te vragen.
- 11.4. Voer geen interventies uit die niet toegelaten zijn.

## ►► 12. AANSLUITING OMGEVINGSTHERMOSTAAT (...E / ...ET) (optioneel)

Verwijder de dop die op het toestel is aangesloten en verbind de omgevingsthermostaat (optioneel) (Fig. 30). Zie elektrisch schema (...E / ...ET).

### ►► 13. WERKINGSPROBLEMEN, OORZAKEN EN OPLOSSINGEN

WERKINGS- PROBLEMEN	... ...M ...DV	...E ...ET	OORZAKEN	OPLOSSINGEN
De motor start niet	X	X	Geen spanning	1°Controleer de netinstallatie 2°Technische dienst
	X	X	Voedingskabel defect/beschadigd	Technische dienst
	X	X	Motor defect	Technische dienst
		X	Foutieve aansluiting van de omgevings-thermostaat	Sluit de omgevingsthermostaat correct aan
De vlam gaat niet aan	X	X	Gasfles is op	Vervang de gasfles (Parag. 4)
	X	X	Veiligheidsklep van de regelaar geblokkeerd	1°Druk op de knop voor deblokkering gas van de regelaar (Fig. 8) 2°Technische dienst
	X	X	Kraan van de gasfles gesloten	Open de kraan van de gasfles (Fig. 7)
	X	X	Circuit voor inschakeling defect	Technische dienst
		X	Aarding niet efficiënt	Controleer of uw installatie een correcte aarding heeft
De vlam blijft niet aan	X		Gasknop niet lang genoeg ingedrukt	Druk de gasknop langer in (Parag. 6.1.4.)
	X	X	Generator defect	Technische dienst
De vlam gaat tijdens de werking uit	X	X	Onvoldoende gastoevoer	1°Vervang de gasfles (Parag. 4) 2°Technische dienst
	X	X	Geen vergassing van de brandstof	Gebruik gasflessen met voldoende capaciteit (Parag. 4)
	X	X	Oververhitting van het toestel	1°Maak de luchtaanvoer schoon (achterkant) 2°Technische dienst
	X	X	Generator defect	Technische dienst

## SUMÁRIO PARÁGRAFOS

1...	<i>DESCRIÇÃO</i>
2...	<i>ADVERTÊNCIAS</i>
3...	<i>TIPO DE COMBUSTÍVEL</i>
4...	<i>LIGAÇÃO E SUBSTITUIÇÃO DA BOTIJA DE GÁS</i>
5...	<i>LIGAÇÃO À REDE ELÉTRICA</i>
6...	<i>ACENDIMENTO PARA OS MODELOS MANUAIS (... / ...M / ...DV)</i>
7...	<i>ACENDIMENTO PARA OS MODELOS ELETRÔNICOS (...E / ...ET)</i>
8...	<i>REGULAÇÃO DA POTÊNCIA TÉRMICA</i>
9...	<i>DESCONEXÃO PARA OS MODELOS MANUAIS (... / ...M / ...DV)</i>
10...	<i>DESCONEXÃO PARA OS MODELOS ELETRÔNICOS (...E / ...ET)</i>
11...	<i>LIMPEZA E MANUTENÇÃO</i>
12...	<i>LIGAÇÃO TERMÓSTATO AMBIENTE (...E / ...ET)</i>
13...	<i>ANOMALIAS DE FUNCIONAMENTO, CAUSAS E SOLUÇÕES</i>

**IMPORTANTE: É NECESSÁRIO LER E COMPREENDER ESTE MANUAL OPERATIVO ANTES DE EFETUAR A MONTAGEM, A ATIVAÇÃO OU A MANUTENÇÃO DESTA GERADOR. O USO ERRADO DO GERADOR PODE CAUSAR LESÕES GRAVES. CONSERVAR ESTE MANUAL PARA FUTURAS CONSULTAS.**

### ▶▶ 1. DESCRIÇÃO

Este gerador é um aquecedor de ar portátil que funciona com gás líquido, caracterizado pelo aproveitamento total do combustível, através de permuta térmica, para a mistura direta entre o ar aspirado e os produtos da combustão. É dotado de um prático puxador para facilitar o transporte e a movimentação. O aparelho é realizado segundo a Norma EN 1596.

### ▶▶ 2. ADVERTÊNCIAS

▶⚠ **IMPORTANTE:** Não utilizar para o aquecimento de áreas habitáveis de edifícios residenciais; para o uso em edifícios públicos, referir-se às regulamentações nacionais.

▶⚠ **IMPORTANTE:** Este aparelho não é adequado para o uso de pessoas (inclusive crianças) com capacidades físicas, sensoriais e mentais reduzidas,

ou inexperientes, a menos que sejam supervisionadas por uma pessoa responsável pela segurança destas mesmas pessoas. As crianças devem ser controladas para que não brinquem com o aparelho. Manter os animais à distância de segurança do aparelho.

▶⚠ **IMPORTANTE:** O uso impróprio deste gerador pode provocar danos ou perigos de vida, lesões, queimaduras, explosões, choques elétricos ou envenenamento. Os primeiros sintomas de asfixia por monóxido de carbono assemelham-se aos da gripe, com cefaleias, tonturas e ou náusea. Tais sintomas podem ser causados pelo funcionamento defeituoso do gerador. **CASO SURJAM TAIS SINTOMAS, SAIR IMEDIATAMENTE AO AR LIVRE E SOLICITAR À ASSISTÊNCIA TÉCNICA O CONserto DO GERADOR.**

▶ **⚠️ IMPORTANTE:** Todas as operações de limpeza, manutenção e conserto que preveem o acesso às partes perigosas (como a substituição do cabo de alimentação danificado) devem ser efetuadas pelo construtor, pelo serviço de assistência técnica do mesmo ou por pessoas com semelhante qualificação para evitar riscos, mesmo se for prevista a desconexão da rede de alimentação.

▶ **2.1.** Para o uso correto do gerador e para a conservação do combustível, seguir todas as ordenanças locais e a normativa em vigor.

▶ **2.2.** O gerador necessita de adequada troca de ar para o próprio funcionamento. Portanto, deve ser utilizado ao ar livre ou em ambientes com troca garantida e contínua de ar. A boa ventilação é garantida quando o volume do ambiente for calculado na potência térmica, com a fórmula de  $1 \text{ m}^3$  para cada  $100 \text{ W}$  de potência. De modo algum, o volume aconselhado para o ambiente deve ser inferior a  $100 \text{ m}^3$ . A boa ventilação é garantida por uma abertura que satisfaça a fórmula de  $25 \text{ cm}^2$  para  $\text{kW}$  de potência térmica, com mínimo de  $250 \text{ cm}^2$ , dividido igualmente entre a parte superior e inferior do ambiente. Para a instalação, valem as normas nacionais em vigor, inclusive as normas técnicas e as disposições sobre a prevenção de acidentes e incêndios.

▶ **2.3.** O aparelho deve ser utilizado somente como gerador de ar quente (modalidade aquecimento) ou ventilador (modalidade ventilação para os modelos que preveem esta funcionalidade). Para o uso, seguir escrupulosamente as presentes instruções.

▶ **2.4.** O construtor não é responsável por danos a objetos e ou pessoas decorrentes do uso impróprio do aparelho.

▶ **2.5.** Alimentar o gerador somente com o tipo de combustível expressamente especificado e com corrente de tensão e frequência indicadas na placa de dados aplicada no gerador.

▶ **2.6.** Conectar o gerador somente em redes elétricas devidamente dotadas de interruptor diferencial e adequada instalação à terra.

▶ **2.7.** Utilizar somente extensões com secção adequada, com fio terra.

▶ **2.8.** O gerador deve funcionar em uma superfície nivelada, estável e ignífuga para evitar riscos de incêndio.

▶ **2.9.** É absolutamente proibido utilizar o aparelho em caves ou embaixo do nível do solo.

▶ **2.10.** O gerador não deve ser utilizado em locais onde haja pó explosivo, fumos, gás combustíveis, solventes e tintas.

▶ **2.11.** Se o gerador for utilizado nas proximidades de estrados, cortinas ou materiais semelhantes de cobertura, aconselha-se usar proteção adicional de tipo ignífugo. É necessário manter distância adequada que, de modo algum, deve ser inferior a  $2,5 \text{ m}$  de materiais inflamáveis (tecido, papel, madeira, etc) ou termoláveis (incluindo o cabo de alimentação) das partes quentes do gerador.

▶ **2.12.** Posicionar a botija de gás em posição protegida, atrás do aparelho (Fig. 1). O gerador nunca deve ser dirigido para a botija de gás (Fig. 2).

▶ **2.13.** É proibido obstruir completa ou parcialmente a tomada de ar (lado posterior) e ou bocal de saída do ar presente no lado anterior (Fig. 3). Evitar o uso de qualquer tipo de canalização de ar do ou para o gerador. Verificar se foram obstruídas as saídas de aspiração de ar que se encontram no fundo da base (para os modelos que possuem esta solução).



▶ **2.14.** Em caso de falta de acendimento ou acendimento anômalo do gerador, consultar a respectiva secção (Par. “13. *ANOMALIAS DE FUNCIONAMENTO, CAUSAS E SOLUÇÕES*”).

▶ **2.15.** Quando estiver em função, o gerador nunca deve ser deslocado, manuseado e nem sujeito a operações de manutenção.

pt ▶ **2.16.** Em qualquer condição de uso ou estacionamento do aparelho, prestar atenção para que o tubo do gás flexível não seja danificado (esmagado, dobrado, entortado ou esticado).

▶ **2.17.** Ao sentir odor de gás, desligar imediatamente o aparelho, fechar a botija de gás, destacar a ficha da rede e, a seguir, contactar a assistência técnica.

▶ **2.18.** Em caso de substituição do tubo de gás, utilizar somente tubos flexíveis, adequados para a pressão de uso, e referir-se às regulamentações nacionais. O tubo de gás deve possuir comprimento de 1,5 m.

▶ **2.19.** Quando o aparelho for controlado por um termóstato ambiente (artigo opcional), o gerador pode ativar-se em qualquer momento, ou seja, quando a temperatura for inferior ao limite configurado.

▶ **2.20.** Quando não for utilizado, desconectar o gerador da ficha da rede elétrica, fechar a alimentação de gás, desconectar o tubo de gás do gerador e tampar a entrada de gás no gerador.

▶ **2.21.** Solicitar à assistência técnica a verificação do correto funcionamento do gerador pelo menos uma vez por ano e ou segundo a própria exigência.

### ▶▶ **3. TIPO DE COMBUSTÍVEL**

Utilizar somente gás da categoria I<sub>3</sub>B/P.

### ▶▶ **4. LIGAÇÃO E SUBSTITUIÇÃO DA BOTIJA DE GÁS**

A botija de gás deve ser substituída ao ar livre, longe de fontes de calor, em atmosfera sem chamas.

Para a conexão da botija de gás ao gerador, devem ser utilizados somente os seguintes acessórios:

• Tubo flexível para gás líquido.

• Regulador de pressão para gás líquido com válvula de segurança.

**VERIFICAR A INTEGRIDADE DO TUBO DE GÁS DE ALIMENTAÇÃO. SE FOR NECESSÁRIO SUBSTITUIR, UTILIZAR SOMENTE TUBOS DE TIPO FLEXÍVEL, ADEQUADOS À PRESSÃO DE USO, E REFERIR-SE ÀS REGULAMENTAÇÕES NACIONAIS.**

▶ Para conectar o gerador à botija de gás: **ATENÇÃO: TODAS AS ROSCAGENS DEVEM SER SINISTRORSAS, OU SEJA, APERTADAS EM SENTIDO ANTI-HORÁRIO.**

▶ **4.1.** Apertar o tubo de gás à ligação do gerador (Fig. 4).

▶ **4.2.** Instalar o regulador de pressão na botija de gás. Verificar se o regulador possui guarnição, se o tipo de engate solicitar (Fig. 5).

▶ **4.3.** Ligar o tubo de gás ao regulador de pressão (Fig. 6).

▶ **4.4.** Abrir a torneira da botija de gás (Fig. 7).

▶ **4.5.** Pressionar o botão de desbloqueio do regulador (Fig. 8). **Verificar a estanquicidade das ligações com água e sabão: se aparecer bolhas, indica eventuais vazamentos de gás (Fig. 9).** É possível ligar mais botijas de gás entre si para obter maior autonomia. **Aconselha-se utilizar botijas de gás de 30 kg para potência térmica de 33 kW; para potência superior a 33 kW utilizar botijas de gás com capacidades superiores.**



Aconselha-se utilizar botijas de gás com capacidade adequada para evitar problemas devidos à falta de gasificação do combustível. A correta pressão de funcionamento (ver placa de dados aplicada no gerador) é dada pelo regulador fornecido de série ou por modelo semelhante.

## ▶▶ 5. LIGAÇÃO À REDE ELÉTRICA

### VERIFICAR A CORRETA INSTALAÇÃO À TERRA DE SUA INSTALAÇÃO ELÉTRICA.

Antes de conectar o gerador à rede elétrica verificar se a tensão e a frequência de alimentação estão corretas (ver placa de dados afixada no gerador). A ligação à rede elétrica (Fig. 10) deve ser feita de acordo com as normas nacionais em vigor.

## ▶▶ 6. ACENDIMENTO PARA OS MODELOS MANUAIS (... / ...M / ...DV)

**IMPORTANTE:** Para os modelos ...DV, controlar o posicionamento do interruptor de troca de tensão (220-240V / 110-120V) (Fig. 11). Se a tensão configurada no aparelho não corresponder à energia fornecida pela rede elétrica, é necessário adequar a tensão. Desaparafusar os parafusos de fixação da tampa (Fig. 12), deslocar o interruptor para o valor de tensão fornecida (Fig. 13) e remontar a tampa (Fig. 14).

### • 6.1. MODALIDADE DE AQUECIMENTO:

▶ 6.1.1. Colocar o interruptor “O/I” em “I” (Fig. 15).

▶ 6.1.2. Pressionar o botão gás até o fim e mantê-lo pressionado (Fig. 16).

▶ 6.1.3. Acionar até o fim e repetidamente o acendedor piezoelétrico (Fig. 17), mantendo pressionado o botão gás (Fig. 16).

▶ 6.1.4. Após o acendimento da chama, manter pressionado o botão gás por 15 seg., aproximadamente (Fig. 18).

▶ 6.1.5. Liberar o botão gás (Fig. 19). Em caso de interrupção de energia elétrica ou por falta de gás, o aparelho desligar-se-á. O reacendimento do gerador não é automático e deve ser feita manualmente, repetindo o procedimento para o acendimento.

Se o aparelho não acender, consultar a respectiva secção (Par. “13. ANOMALIAS DE FUNCIONAMENTO, CAUSAS E SOLUÇÕES”).

### • 6.2. MODALIDADE DE VENTILAÇÃO:

O gerador pode ser utilizado também como ventilador. Conectar o gerador à rede elétrica (Fig. 10) e colocar o interruptor “O/I” em posição “I” (Fig. 15).

**Nota:** Com o gerador funcionando na modalidade aquecimento, antes de passar à modalidade ventilação, efetuar a correta sequência de desconexão para os modelos manuais [Par. “9. DESCONEXÃO PARA OS MODELOS MANUAIS (... / ...M / ...DV)”].

## ▶▶ 7. ACENDIMENTO PARA OS MODELOS ELETRÓNICOS (...E / ...ET)

▶ 7.1. Colocar o interruptor “O/I” em “I” (Fig. 15).

▶ 7.2. Pressionar o botão de “RESET” (Fig. 20).

O gerador inicia a sequência de análise e após 20÷30 seg., aproximadamente, a chama acende-se (ver esquema de funcionamento, Fig. 21).

Em caso de interrupção de energia elétrica ou por falta de gás, o aparelho desligar-

se-á. O reacendimento do gerador não é automático e deve ser feito manualmente, pressionando o botão “RESET” (Fig. 20). Se o aparelho não acender, consultar a respectiva secção (Par. “13. ANOMALIAS DE FUNCIONAMENTO, CAUSAS E SOLUÇÕES”).

**ATENÇÃO:** Se o gerador parar devido a intervenção do termóstato ambiente (artigo opcional) o reacendimento do aparelho é feito automaticamente quando a temperatura for inferior ao limiar configurado.

## ▶▶ 8. REGULAÇÃO DA POTÊNCIA TÉRMICA

De acordo com o tipo de gerador é possível regular a potência térmica do aparelho. A potência térmica pode ser regulada atuando no manípulo situado na base do gerador (Fig. 22) ou no regulador de pressão, instalado na botija de gás (Fig. 23), de acordo com o modelo.

## ▶▶ 9. DESCONEXÃO PARA OS MODELOS MANUAIS (... / ...M / ...DV)

- ▶ 9.1. Fechar a botija de gás (Fig. 24).
- ▶ 9.2. Deixar funcionar o ventilador por cerca 60 seg. para evitar danos internos devido ao sobreaquecimento (arrefecimento interno do gerador).
- ▶ 9.3. Colocar o interruptor “O/I” em “O” (Fig. 25).
- ▶ 9.4. Desconectar o gerador da rede elétrica (Fig. 26).
- ▶ 9.5. Desconectar o gerador do tubo de alimentação do gás (Fig. 27-28-29).

## ▶▶ 10. DESCONEXÃO PARA OS MODELOS ELETRÓNICOS (...E / ...ET)

- ▶ 10.1. Colocar o interruptor “O/I” em “O” (Fig. 25). A chama apaga-se e o gerador efetua a fase de pós-ventilação. Aguardar

que o ciclo conclua para evitar danos internos devido ao sobreaquecimento (a fase é automática e pode durar de 50 s±5 min. segundo a temperatura interna/externa do gerador).

- ▶ 10.2. Fechar a botija de gás (Fig. 24).
- ▶ 10.3. Desconectar o gerador da rede elétrica (Fig. 26).
- ▶ 10.4. Desconectar o gerador do tubo de alimentação do gás (Fig. 27-28-29).

**Nota:** Evitar a desconexão do gerador da rede elétrica antes do final da fase de pós-ventilação para que não haja danos internos devido ao sobreaquecimento.

## ▶▶ 11. LIMPEZA E MANUTENÇÃO

Pelo menos uma vez por ano e ou segundo a própria exigência, solicitar à assistência técnica a verificação do correto funcionamento do gerador. Antes de colocá-lo em uso, o aparelho deve ser limpo.

- ▶ 11.1. Antes de iniciar qualquer tipo de trabalho de manutenção, cuidado e conserto no aparelho, efetuar a sequência necessária para o acendimento [Par. “9. DESCONEXÃO PARA MODELOS MANUAIS (... / ...M / ...DV)” ou “10. DESCONEXÃO POR MODELOS ELETRÓNICOS (...E / ...ET)”].
- ▶ 11.2. A limpeza refere-se somente à tomada de ar (lado posterior) do gerador.
- ▶ 11.3. Quando o aparelho for reutilizado, controlar o estado da integridade do tubo de gás e do cabo de alimentação; em caso de dúvidas, solicitar a intervenção da assistência técnica.
- ▶ 11.4. Não efetuar intervenções não autorizadas.

## ▶▶ 12. LIGAÇÃO TERMÓSTATO AMBIENTE (...E / ...ET) (opcional)

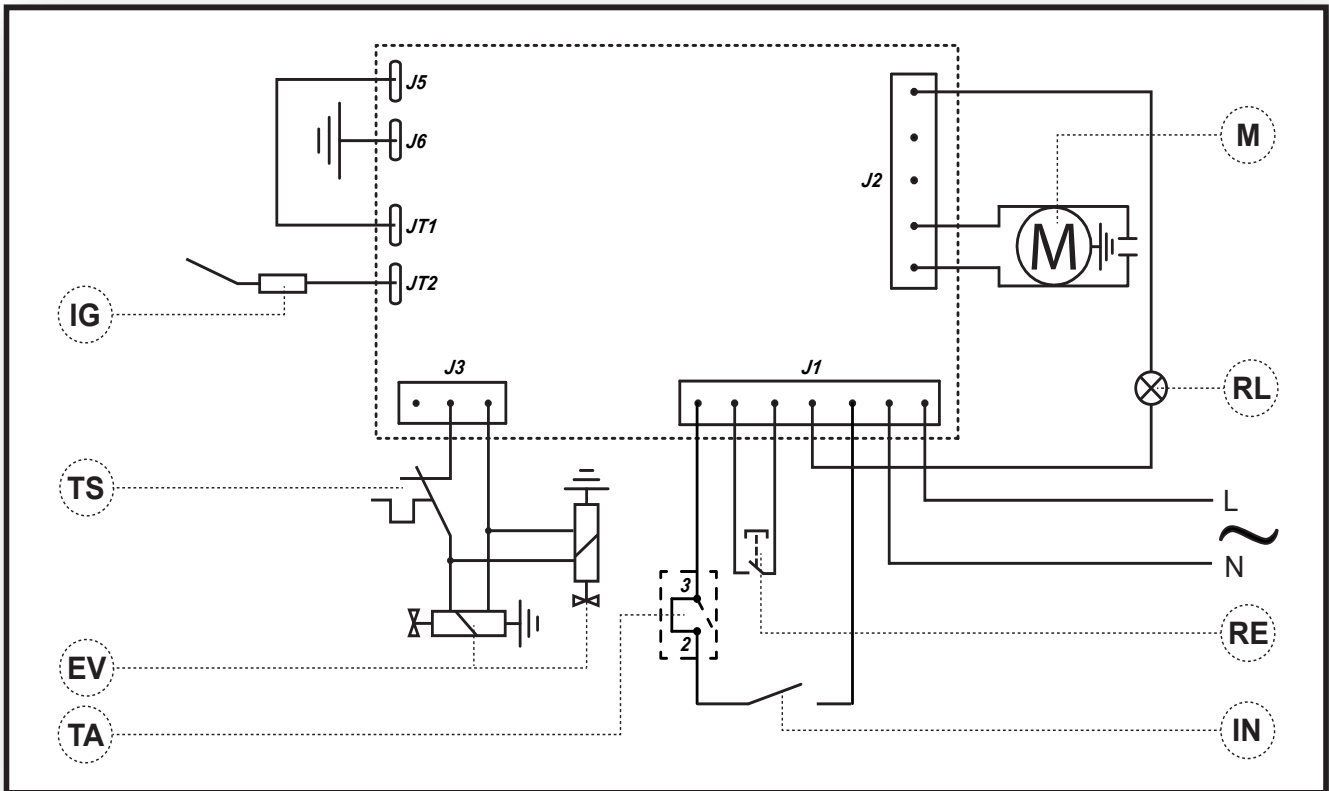
Remover a tampa conectada ao aparelho e ligar o termóstato ambiente (opcional, Fig. 30).

Ver esquema elétrico (...E / ...ET).

### ►► 13. ANOMALIAS DE FUNCIONAMENTO, CAUSAS E SOLUÇÕES

<b>ANOMALIAS DE FUNCIONAMENTO</b>	<b>... ...M ...DV</b>	<b>...E ...ET</b>	<b>CAUSAS</b>	<b>SOLUÇÕES</b>
O motor não se aciona	X	X	Ausência de tensão	1° Verificar a instalação de rede 2° Assistência técnica
	X	X	Cabo de alimentação avariado/danificado	Assistência técnica
	X	X	Motor avariado	Assistência técnica
		X	Conexão errada do termóstato ambiente	Conectar corretamente o termóstato ambiente
A chama não se acende	X	X	Botija de gás terminada	Substituir a botija de gás (Par. 4)
	X	X	Válvula de segurança regulador bloqueador	1° Pressionar o botão de desbloqueio do gás do regulador (Fig. 8) 2° Assistência técnica
	X	X	Torneira da botija de gás fechada	Abrir a torneira da botija de gás (Fig. 7)
	X	X	Circuito de acendimento avariado	Assistência técnica
		X	Instalação à terra não eficaz	Verificar a correta instalação à terra do sistema elétrico
A chama não permanece acesa	X		Botão do gás pressionado por um tempo não suficiente	Pressionar o botão de gás por mais tempo (Par. 6.1.4.)
	X	X	Gerador avariado	Assistência técnica
Desconexão da chama durante o funcionamento	X	X	Insuficiente alimentação de gás	1° Substituir a botija de gás (Par. 4) 2° Assistência técnica
	X	X	Ausência de gasificação do combustível	Utilizar botijas de gás com capacidade adequada (Par. 4)
	X	X	Sobreaquecimento do aparelho	1° Limpar a tomada de ar (lado posterior) 2° Assistência técnica
	X	X	Gerador avariado	Assistência técnica

# ELECTRIC SYSTEM - IMPIANTO ELETTRICO - ELEKTRISCHE ANLAGE - INSTALACIÓN ELÉCTRICA - INSTALLATION ELECTRIQUE - ELEKTRISCHE INSTALLATIE - SISTEMA ELÉTRICO

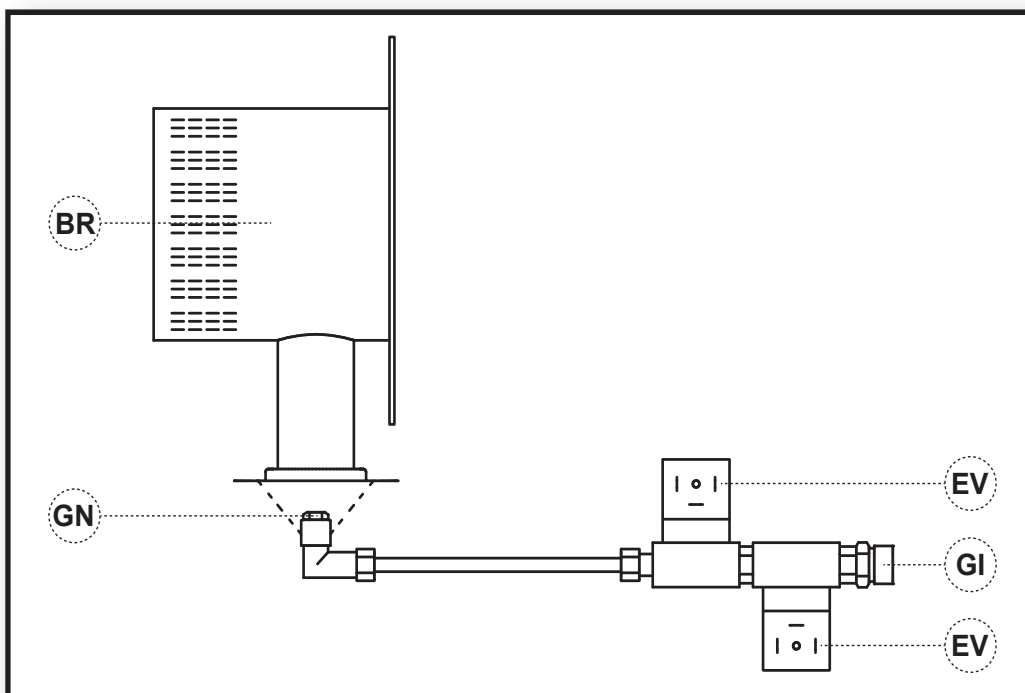


**33ET - 53ET - 73ET - 103ET**

<b>IN</b>	Switch - Interruttore - Schalter - Interruptor - Interrupteur - Schakelaar - Interruptor
<b>M</b>	Motor - Motore - Motor - Motor - Moteur - Motor - Motor
<b>EV</b>	Solenoid valve - Elettrovalvola - Elektroventil - Electroválvula - Électrovalve - Elektroklep - Eletroválvula
<b>IG</b>	Igniter - Accenditore - Anzünder - Encendedor - Allumeur - Ontsteker - Acendedor
<b>TS</b>	Safety thermostat - Termostato sicurezza - Sicherheitsthermostat - Termostato de seguridad - Thermostat de sécurité - Veiligheidsthermostaat - Termóstato de segurança
<b>RL</b>	LED - Led - LED - Led - Led - Led - Led
<b>RE</b>	Reset - Reset - Reset - Reset - Redémarrage - Reset - Reset
<b>TA</b>	Room thermostat - Termostato ambiente - Raumthermostat - Termostato ambiente - Thermostat d'ambiance - Omgevingsthermostaat - Termóstato ambiente

# GAS PLANT - IMPIANTO GAS - GASANLAGE - INSTALACIÓN DE GAS - SYSTÈME À GAZ - GASINSTALLATIE - SISTEMA DO GÁS

en  
it  
de  
es  
fr  
nl  
pt



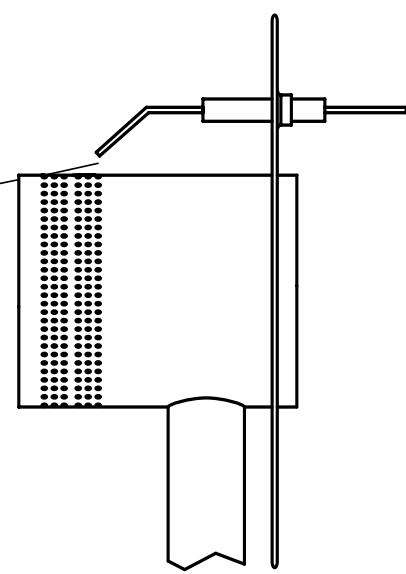
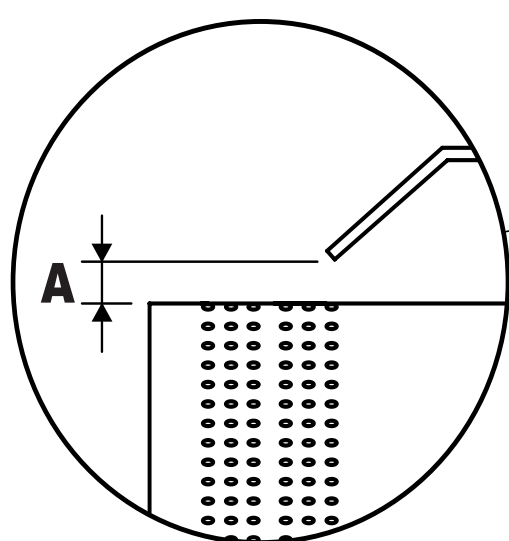
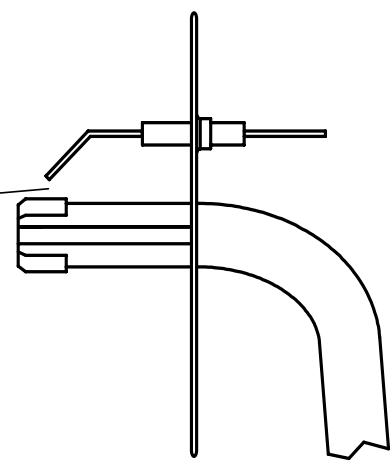
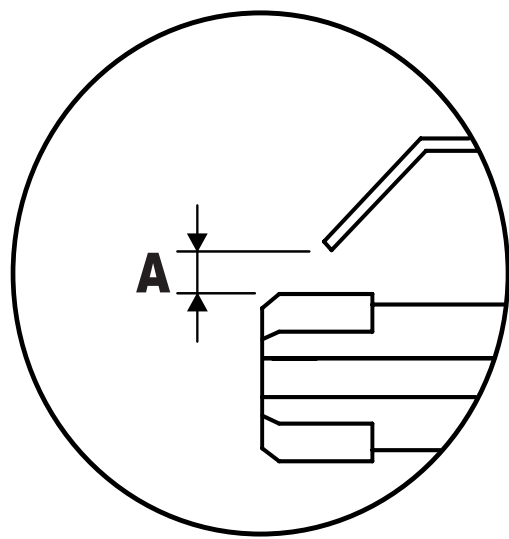
**33ET - 53ET - 73ET - 103ET**

<b>GI</b>	Gas inlet fitting - Raccordo entrata gas - Anschluss Gaszufuhr - Racor de entrada del gas - Raccord entrée gaz - Koppeling gasingang - Ligaçao da entrada de gás
<b>EV</b>	Solenoid valve - Elettrovalvola - Elektroventil - Electroválvula - Électrovalve - Elektroklep - Eletroválvula
<b>GN</b>	Gas nozzle - Ugello gas - Gasdüse - Tobera de gas - Gicleur gaz - Gasstraalpijp - Bico ejetor de gás
<b>BR</b>	Burner - Bruciatore - Brenner - Quemador - Bruleur - Brander - Queimador



en  
it  
de  
es  
fr  
nl  
pt

# ELECTRODES REGULATION - REGOLAZIONE ELETTRODI - REGULIERUNG DER ELEKTRODEN - REGULACIÓN DE LOS ELECTRODOS - REGULATION DES ELECTRODES - AFSTEL- LING ELEKTRODEN - REGULAÇÃO DE ELÉTROS



**A = 4 ÷ 6 mm**

220-240 V ~ 50 Hz



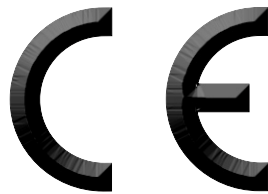
220-240 V ~ 60 Hz



**TECHNICAL DATA - DATI TECNICI - TECHNISCHE DATEN - DATOS TÉCNICOS - DONNÉES TECHNIQUES - TECHNISCHE GEGEVENS - DADOS TÉCNICOS**

MODEL	33ET		53ET		73ET		103ET	
	50 Hz	60 Hz	50 Hz	60 Hz	50 Hz	60 Hz	50 Hz	60 Hz
	~220-240 V-B 50 Hz-Гц 0,32 A 74 W-BT	~220-240 V-B 60 Hz-Гц 0,38 A 88 W-BT	~220-240 V-B 50 Hz-Гц 0,55 A 126 W-BT	~220-240 V-B 60 Hz-Гц 0,7 A 160 W-BT	~220-240 V-B 50 Hz-Гц 1 A 230 W-BT	~220-240 V-B 60 Hz-Гц 1,2 A 280 W-BT	~220-240 V-B 50 Hz-Гц 1 A 230 W-BT	~220-240 V-B 60 Hz-Гц 1,2 A 280 W-BT
	<b>33 kW-кВт</b> 28.400 kcal/h-ккал/ч 112.800 Btu/h-БТЕ/ч	<b>33 kW-кВт</b> 28.400 kcal/h-ккал/ч 112.800 Btu/h-БТЕ/ч	<b>53 kW-кВт</b> 45.600 kcal/h-ккал/ч 181.000 Btu/h-БТЕ/ч	<b>53 kW-кВт</b> 45.600 kcal/h-ккал/ч 181.000 Btu/h-БТЕ/ч	<b>73 kW-кВт</b> 62.800 kcal/h-ккал/ч 249.300 Btu/h-БТЕ/ч	<b>73 kW-кВт</b> 62.800 kcal/h-ккал/ч 249.300 Btu/h-БТЕ/ч	<b>103 kW-кВт</b> 88.600 kcal/h-ккал/ч 351.700 Btu/h-БТЕ/ч	<b>103 kW-кВт</b> 88.600 kcal/h-ккал/ч 351.700 Btu/h-БТЕ/ч
	<b>18 kW-кВт</b> 15.500 kcal/h-ккал/ч 61.500 Btu/h-БТЕ/ч	<b>18 kW-кВт</b> 15.500 kcal/h-ккал/ч 61.500 Btu/h-БТЕ/ч	<b>36 kW</b> 31.000 kcal/h 123.000 Btu/h	<b>36 kW</b> 31.000 kcal/h 123.000 Btu/h	<b>49 kW</b> 42.100 kcal/h 167.100 Btu/h	<b>49 kW</b> 42.100 kcal/h 167.100 Btu/h	<b>57 kW</b> 49.000 kcal/h 194.500 Btu/h	<b>57 kW</b> 49.000 kcal/h 194.500 Btu/h
	2,4 kg/h-кг/ч	3,78 kg/h-кг/ч	5,02 kg/h-кг/ч	6,66 kg/h-кг/ч	6,66 kg/h-кг/ч	6,66 kg/h-кг/ч	6,66 kg/h-кг/ч	6,66 kg/h-кг/ч
	1.000 m³/h-м³/ч	1.200 m³/h-м³/ч	1.450 m³/h-м³/ч	1.650 m³/h-м³/ч	2.300 m³/h-м³/ч	2.300 m³/h-м³/ч	3.260 m³/h-м³/ч	3.260 m³/h-м³/ч
	750÷1.500 mбар-мбар		750÷1.500 mбар-мбар		750÷1.500 mбар-мбар		750÷2.000 mбар-мбар	
	I3B/P		I3B/P		I3B/P		I3B/P	
	ΔT 1,5м-м:<70K IP 44							

en  
it  
de  
es  
fr  
nl  
pt



**CE CONFORMITY CERTIFICATE - DICHIARAZIONE DI CONFORMITÀ CE - EG-KONFORMITÄTSERKLÄRUNG - DECLARACIÓN DE CONFORMIDAD CE - DECLARATION DE CONFORMITE CE - EG-CONFORMITEITVERKLARING - DECLARAÇÃO DE CONFORMIDADE CE**

**MCS ITALY S.p.A. Via Tione, 12 - 37010 - Pastrengo (VR) ITALY**

Product: - Prodotto: - Produkt: - Producto: - Produit: - Product: - Produto:

**BLP 33ET - BLP 53ET  
BLP 73ET - BLP 103ET**

We declare that it is compliant with: - Si dichiara che è conforme a: - Es wird als konform mit den folgenden Normen erklärt: - Se declara que está en conformidad con: - Nous déclarons sa conformité à: - Hierbij wordt verklaard dat het product conform is met: - Declara-se que está em conformidade com:

**2009/142/CE, 2004/108 EEC, 2006/95 EEC  
EN 1596, EN 55014-1-2-2A/1, EN 61000-3-2, EN 61000-3-3,  
EN 62233, EN 60335-1, EN 60335-2-102**

Pastrengo, 10/06/2014

Stefano Verani (CEO MCS Group)

► en - DISPOSAL OF THE PRODUCT

- This product has been designed and manufactured with top-quality materials and components, which can be re-cycled and re-used.
- When a crossed-wheely bin symbol is attached to the product, it means that the product is protected by the, 2002/96/EC European Directive.
- Please obtain information regarding the local differentiated collection system for electrical and electronic products.
- Respect local Standards in force and do not dispose of old products as normal domestic waste. Correct disposal of the product helps to prevent possible negative consequences for health, the environment and mankind.

► it - SMALTIMENTO DEL PRODOTTO

- Questo prodotto è stato progettato e fabbricato con materiali e componenti di alta qualità, che possono essere riciclati e riutilizzati.
- Quando ad un prodotto è attaccato il simbolo del bidone con le ruote segnato da una croce, significa che il prodotto è tutelato dalla Direttiva Europea 2002/96/CE.
- Si prega di informarsi in merito al sistema locale di raccolta differenziata per i prodotti elettrici ed elettronici.
- Rispettare le norme locali in vigore e non smaltire i prodotti vecchi nei normali rifiuti domestici. Il corretto smaltimento del prodotto aiuta ad evitare possibili conseguenze negative per la salute dell'ambiente e dell'uomo.

► de - ENTSORGUNG DES PRODUKTS

- Dieses Produkt wurde unter Verwendung von Qualitätsmaterialien und -bauteilen entwickelt und hergestellt, die recycelt und wieder verwendet werden können.
- Ist ein Produkt gekennzeichnet durch die Mülltonne mit Rädern und einem Kreuz, wird hier angezeigt, dass dieses Produkt durch die europäische Richtlinie 2002/96/EG überwacht ist.
- Es wird gebeten, sich über die vor Ort bestehende Mülltrennung bezüglich elektrischer und elektronischer Produkte zu informieren.
- Die vor Ort geltenden Vorschriften zur Müllentsorgung müssen eingehalten werden und alte Produkte dürfen nicht zusammen mit dem Hausmüll entsorgt werden. Die ordnungsgemäße Entsorgung des Produkts hilft mögliche negative Folgen für Gesundheit und Umwelt zu vermeiden.

► es - ELIMINACIÓN DEL PRODUCTO

- Este producto ha sido diseñado y fabricado con materiales y componentes de alta calidad que se pueden reciclar y reutilizar.
- Cuando en el producto se encuentra el símbolo del contenedor con las ruedas tachado con una cruz, significa que el producto está tutelado por la Directiva europea 2002/96/CE.
- Se ruega informarse acerca del sistema local de recogida selectiva para los productos eléctricos y electrónicos.
- Respete las normas locales vigentes y no elimine los productos viejos junto con los residuos domésticos normales. La eliminación correcta del producto ayuda a evitar posibles consecuencias negativas para la salud del ambiente y del hombre.

► fr - SE DÉBARRASSER DE VOTRE PRODUIT USAGÉ

- Ce produit a été conçu et fabriqué avec des matériaux et des composants de haute qualité, qui peuvent être recyclés et utilisés de nouveau.
- Lorsque le symbole d'une poubelle à roue barrée est appliqué à un produit, cela signifie que le produit est couvert par la Directive Européenne 2002/96/CE.
- Veillez vous informer du système local de séparation des déchets électriques et électroniques.
- Veillez agir selon les règles locale set ne pas jeter vos produits usagés avec les déchets domestiques usuels. Jeter correctement votre produit usagé aidera à prévenir les conséquences négatives potentielles contre l'environnement et la santé humaine.

► nl - VERWIJDERING VAN HET PRODUCT

- Dit product werd ontworpen en gemaakt met hoogwaardige materialen en componenten, die gerecycleerd en herbruikt kunnen worden.
- Wanneer op een product het symbool van de afvalbak op wielen met een kruis erdoor is aangebracht, betekent dit dat het product valt onder de Europese Richtlijn 2002/96/EG.
- Gelieve inlichtingen in te winnen betreffende het plaatselijke systeem voor gedifferentieerde inzameling van elektrische en elektronische toestellen.
- Respecteer de plaatselijke normen die van kracht zijn, en verwijder de oude toestellen niet als gewoon huishoudelijk afval. Een correcte verwijdering van het product helpt om mogelijke negatieve gevolgen voor de gezondheid van mens en milieu te voorkomen.

► pt - ELIMINAÇÃO DO PRODUTO

- Este produto foi projetado e fabricado com materiais e componentes de alta qualidade que podem ser reciclados e reutilizados.
- Quando for afixado em um produto o símbolo do bidão com rodas marcado com uma cruz, significa que o produto é protegido pela Diretiva Europeia 2002/96/CE.
- Solicitamos informar-se sobre o sistema local de recolha diferenciada para os produtos elétricos e eletrônicos.
- Respeitar as normas locais em vigor e não eliminar os produtos antigos como normais detritos domésticos. A correta eliminação do produto ajuda a evitar possíveis consequências negativas para a saúde do ambiente e do homem.

en

it

de

es

fr

nl

pt

**en** ► en - LIMITED WARRANTY AND AFTER-SALES SERVICE  
KEEP THIS LIMITED WARRANTY

**it** During the period of twelve (12) months starting from the date of purchase of this product, the manufacturer guarantees that the appliance, all of its parts, do not have flaws due to manufacturing or the materials used, as long as the appliance has been used following the instructions and maintenance indicated in the manual. This warranty is only valid for the original purchaser of the appliance, which must present the purchase invoice. This warranty only includes the cost of the parts necessary to return the appliance to its normal functioning state. Therefore, costs relative to transport or other material associated with the parts covered by this warranty are excluded. The faults produced by incorrect use, manipulation, negligence, insufficient maintenance, alterations, modifications, normal wear of the product are not covered by this warranty, as also the use of non-compliant fuel, repairs using non-original spare parts or repairs performed by staff not working for the dealer or the authorised technical after-sales service. Routine maintenance is the owner's responsibility. The manufacturer does not guarantee, nor is directly or indirectly responsible, for any other warranty including that of a commercial nature or for appropriation for a particular use. In no case is the manufacturer liable for direct, indirect, accidental or consequent damage, deriving from use of the appliance. The manufacturer reserves the right to modify this warranty at any time and without forewarning. This is the only valid warranty. The manufacturer does not assume any expressed or implicit warranty.

**it** ► it - GARANZIA LIMITATA E SERVIZIO ASSISTENZA SERVICE  
CONSERVARE LA PRESENTE GARANZIA LIMITATA

Durante il periodo di dodici (12) mesi a partire dalla data di acquisto di questo prodotto, il costruttore garantisce che l'apparecchio, come ogni sua parte, non presenta difetti dovuti alla fabbricazione o ai materiali utilizzati, sempre che lo stesso sia stato usato seguendo le istruzioni di funzionamento e mantenimento indicate nel manuale. La presente garanzia si estende unicamente al compratore originale dell'apparecchio, il quale dovrà presentare la fattura di acquisto. La presente garanzia include solo il costo delle parti necessarie per restituire l'apparecchio nel suo stato normale di funzionamento. Restano pertanto esclusi i costi relativi ai trasporti o altro materiale associato con le parti coperte dalla presente garanzia. Sono escluse dalla copertura di garanzia, le avarie prodotte da errato uso, manipolazioni, negligenza, manutenzione insufficiente, alterazioni, modificazioni, normale usura del prodotto, così anche per l'uso di combustibile non conforme, riparazioni con ricambi inadeguati o per riparazioni fatte da personale differente dal distributore o dal servizio tecnico autorizzato. La normale manutenzione è a carico del proprietario. Il costruttore non garantisce, né si fa carico diretto o indiretto, di nessuna altra garanzia inclusa quella di carattere commerciale o per l'appropriazione per una particolare utilizzazione. In nessun caso il costruttore sarà responsabile per i danni diretti, indiretti, accidentali o conseguenti, derivanti dall'uso dell'apparecchio. Il costruttore si riserva il diritto di modificare in qualsiasi momento e senza preavviso la presente garanzia. L'unica garanzia valida è la presente scrittura, il costruttore non assume nessuna garanzia espressa o implicita.

**de** ► de - BESCHRÄNKTE GARANTIE UND KUNDENDIENST  
VORLIEGENDE BESCHRÄNKTE GARANTIE GUT AUFBEWAHREN

Während der Garantie von zwölf (12) Monaten, ab Kaufdatum dieses Produkts, garantiert die Herstellerfirma, dass das Gerät und seine Bauteile keine Defekte verursacht durch Herstellung oder aufgrund verwendeter Materialien aufweist. Voraussetzung hierfür ist die Befolgung der im Handbuch angegebenen Betriebs- und Wartungsanleitungen. Die vorliegende Garantie gilt ausschließlich für die ursprünglichen KäuferInnen des Geräts. Hierfür muss die Rechnung vorgelegt werden. Eingeschlossen von der vorliegenden Garantie sind nur die Kosten für die Bauteile, welche notwendig sind, damit das Gerät seinen ordnungsgemäßen Betrieb wieder aufnehmen kann. Ausgeschlossen von der Garantie sind Transportkosten oder Kosten für Materialien, welche an die von der Garantie abgedeckten Bauteile gebunden sind. Ausgeschlossen von der Garantie sind Schäden die durch falschen Gebrauch, nicht autorisierte Eingriffe und Veränderungen, Vernachlässigung sowie unzureichende Wartung, Modifizierungen und die normale Abnutzung des Produkts verursacht werden. Gleichermaßen ausgeschlossen sind Schäden, die durch die Verwendung von nicht geeigneten Brennstoffen sowie Reparaturen mit Verwendung ungeeigneter Ersatzteile oder durchgeführt von Personen, die nicht zur Herstellungsfirma oder autorisierten Kundendiensten gehören. Die normale Wartung liegt in der Verantwortung der BesitzerInnen. Die Herstellerfirma gibt keine weitere direkte oder indirekte Garantie bezüglich des Vertriebs oder des Einsatzes für eine spezielle Verwendung des Geräts. In keinem Fall übernimmt die Herstellerfirma die Verantwortung für direkte oder indirekte Schäden, Unfälle oder Folgen, die durch den Gebrauch des Gerätes entstehen können. Die Herstellerfirma behält sich das Recht vor zu jeder Zeit und ohne Vorankündigung die vorliegende Garantie ändern zu können. Das vorliegende Schriftstück ist die einzig gültige Garantie und die Herstellerfirma übernimmt keine weitere ausdrückliche oder implizierte Garantie.

**es** ► es - GARANTÍA LIMITADA Y SERVICIO DE ASISTENCIA SERVICE  
CONSERVE LA PRESENTE GARANTÍA LIMITADA

Durante el período de doce (12) meses a partir de la fecha de compra de este producto, el fabricante garantiza que el equipo, y todas sus partes, no presentan defectos debidos a la fabricación o a los materiales empleados, siempre que el mismo se use en el respeto de las instrucciones de funcionamiento y mantenimiento indicadas en el manual. Esta garantía se extiende solo al comprador original del equipo, el cual debe presentar la factura de compra. La presente garantía incluye solo el coste de las partes necesarias para que el equipo vuelva a funcionar normalmente. Por lo tanto se excluyen los costes relativos a los transportes o a otro material asociado con las partes cubiertas por la garantía. La garantía no cubre las averías producidas por el uso incorrecto, las manipulaciones, la negligencia, el mantenimiento insuficiente, las alteraciones, las modificaciones, el desgaste normal del producto, el uso de un combustible no conforme, las reparaciones con recambios inadecuados o las reparaciones hechas por personal diferente del distribuidor o del servicio técnico autorizado. El mantenimiento ordinario es a cargo del propietario. El fabricante no garantiza, ni se hace cargo directo o indirecto de ninguna otra garantía incluyendo la de carácter comercial o por la apropiación de un uso particular. El fabricante no es responsable por ninguna razón de los daños directos, indirectos, accidentales o consiguientes, debidos al uso del equipo. El fabricante se reserva el derecho de modificar la presente garantía en cualquier momento y sin previo aviso. La única garantía válida es la presente escritura, el fabricante no asume ninguna garantía expresa o implícita.



► fr - GARANTIE ET SERVICE APRES-VENTE  
CONSERVER CETTE GARANTIE LIMITÉE

Pendant une durée de douze (12) mois à partir de la date de l'achat de ce produit, le constructeur garantit que l'appareil, comme tout élément qui le compose, sont exempts de vices de matière et défauts de main d'œuvre, à condition que l'appareil fonctionne et soit entretenu conformément aux instructions de fonctionnement et de maintenance illustrées dans ce manuel. Cette garantie s'étend uniquement au premier acheteur de l'appareil, qui devra présenter la facture d'achat. La présente garantie inclut seulement le coût des parties nécessaires pour restituer l'appareil dans son normal état de fonctionnement. Sont exclus donc le coût relatif au transport ou autre matériel associé avec des parties couvertes par la présente garantie. Cette garantie ne couvre pas les défauts qui résultent d'une utilisation abusive, de mauvais traitement, de négligences, d'accidents, d'absence d'entretien correct, ni l'usure normale, la modification, l'altération, l'utilisation de combustible non conforme, les réparations à l'aide de pièce inadéquate ou les réparations par une autre personne que le revendeur ou le service après vente autorisé. L'entretien normal s'opère sous la responsabilité du propriétaire. Le constructeur ne garantit pas ni prend en charge directement ou indirectement de tout autre garantie incluse la garantie commerciale ou d'appropriation pour une utilisation particulière. Le constructeur ne prend aucune responsabilité pour les dommages directs, indirect, incidents ou conséquents, qui dérivent de l'utilisation de l'appareil. Le constructeur se réserve le droit de modifier les présentes spécifications à tout moment quelconque sans préavis. La seule garantie applicable est cette garantie écrite. Le constructeur ne fait aucune garantie expresse ou implicite.

► nl - BEPERKTE GARANTIE EN TECHNISCHE DIENST  
ONDERHAVIGE BEPERKTE GARANTIE MOET WORDEN BEWAARD

Gedurende een periode van twaalf (12) maanden vanaf de datum van aankoop van dit product garandeert de constructeur dat het toestel evenals elk onderdeel ervan geen defecten vertoont te wijten aan fabricatiefouten of aan de gebruikte materialen, zolang het toestel gebruikt wordt volgens de instructies voor werking en onderhoud die in de handleiding worden gegeven. Deze garantie heeft enkel betrekking op de oorspronkelijke koper van het toestel, die de aankoopfactuur moet kunnen voorleggen. Deze garantie omvat enkel de kosten voor de onderdelen die nodig zijn om het toestel weer in zijn normale werkingsstatus te herstellen. De kosten met betrekking tot transport of ander materiaal dat betrekking heeft op de onderdelen die door deze garantie gedekt zijn, blijven van deze garantie uitgesloten. De schade die voortvloeit uit een foutief gebruik, forceren, veronachtzaming, onvoldoende onderhoud, aanpassingen, wijzigingen, en normale slijtage van het product zijn niet door de garantie gedekt, evenals schade door gebruik van brandstof die niet conform is, reparaties met ongeschikte wisselstukken of wegens reparaties uitgevoerd door ander personeel dan die van de verdeler of van de bevoegde technische dienst. Het gewone onderhoud is voor rekening van de eigenaar. De constructeur garandeert geen enkele andere garantie, en neemt die ook niet rechtstreeks of onrechtstreeks op zich, met inbegrip van commerciële garantie of voor de aanpassing voor een specifieke toepassing. De constructeur is in geen enkel geval verantwoordelijk voor rechtstreekse, onrechtstreekse, onopzettelijke of andere schade die voortvloeit uit het gebruik van het toestel. De constructeur behoudt zich het recht voor om op elk ogenblik en zonder vooraf te verwittigen deze garantie te wijzigen. De enige geldige garantie is dit geschreven document, de constructeur verzekert geen enkele speciale of impliciete garantie.

► pt - GARANTIA LIMITADA E SERVIÇO DE ASSISTÊNCIA SERVIÇO  
CONSERVAR A PRESENTE GARANTIA LIMITADA

Durante o período de doze (12) meses a partir da data de aquisição deste produto, o fabricante garante que o aparelho, como suas partes, não apresenta defeitos devidos à fabricação ou materiais utilizados, desde que seja utilizado segundo as instruções de funcionamento e manutenção indicadas no manual. A presente garantia estende-se unicamente ao comprador original do aparelho, que deve apresentar a fatura de compra. A presente garantia inclui somente o custo das partes necessárias para restituir o aparelho em seu estado normal de funcionamento. Portanto, estão excluídos os custos referentes ao transporte ou outro material associado com as partes cobertas pela presente garantia. Estão excluídas da garantia as avarias produzidas por uso errado, manipulações, negligência, manutenção insuficiente, alterações, modificações, desgaste normal do produto, assim como para o uso de combustível não em conformidade, consertos com peças inadequadas ou por consertos feitos por pessoas que não sejam o distribuidor ou o serviço técnico autorizado. A normal manutenção é por conta do proprietário. O fabricante não garante, e não se responsabiliza direta ou indiretamente, por outras garantias, inclusive a de caráter comercial, ou por usos diversos. De modo algum o fabricante é responsável por danos diretos, indiretos, acidentais ou consequências devido ao uso do aparelho. O fabricante reserva-se o direito de efetuar modificações na presente garantia a qualquer momento e sem prévio aviso. Este documento representa a única garantia válida e o fabricante não assume nenhuma garantia expressa ou implícita.

**Model:** \_\_\_\_\_

**Serial Number:** \_\_\_\_\_

**Date of Purchase:** \_\_\_\_\_



**MCS Italy S.p.A.**

Via Tione 12, -37010-  
Pastrengo (VR), Italy  
info@mcsitaly.it

**MCS Italy S.p.A.**

Виа Тионе, 12, 37010  
Пастренго (Верона), Италия  
info@mcsitaly.it

**MCS Central Europe Sp. z o.o.**

ul. Magazynowa 5A,  
62-023 Gądkki, Poland  
office@mcs-ce.pl

**MCS Central Europe Sp. z o.o.**

ул. Магазинова, 5А,  
62-023 Гадки, Польша  
office@mcs-ce.pl

**MCS Russia LLC**

ul. Transportnaya - 22 ownership 2,  
142802, STUPINO, Moscow region, Russia  
info@mcsrussia.ru

**ООО «ЭмСиЭс Россия»**

Ул. Транспортная, владение 22/2,  
142802, г.Ступино, Московская обл., РФ  
info@mcsrussia.ru

**MCS China LTD**

Unit A1, No. 1515, Jinshao Rd.,  
Baoshan Industrial Zone,  
Shanghai, 200949, China  
office@mcs-china.cn

**MCS China LTD**

строение А1, № 1515, ул. Джиньшао,  
промышленная зона Баошань,  
Шанхай, 200949, Китай  
office@mcs-china.cn